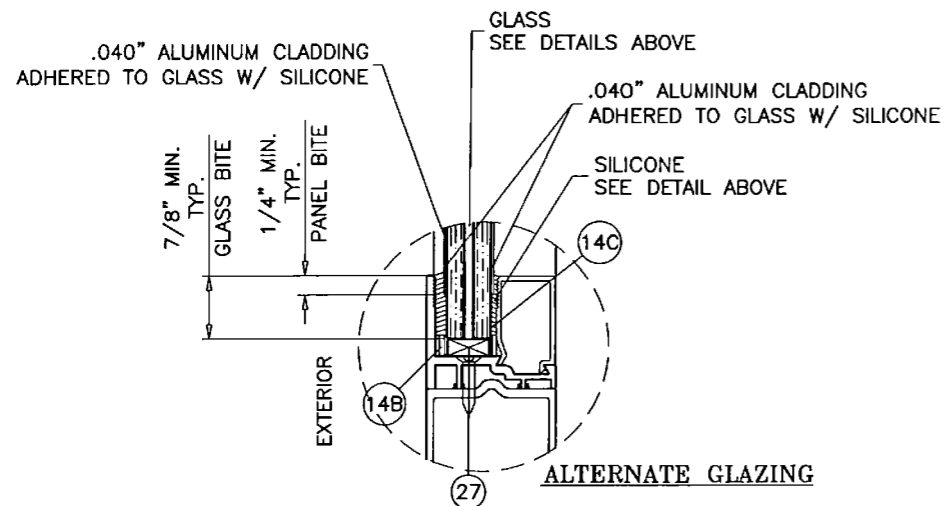


GLAZING OPTIONS



ALTERNATE GLAZING

SERIES SMK-2/K-2 BREEZE ALUMINUM ENTRANCE DOOR

APPROVAL APPLIES TO SINGLE LEAF (X) DOORS WITH OR WITHOUT WINDOW INSERT. SEE SEPARATE APPROVAL FOR WINDOW CAPACITY. LOWER DESIGN PRESSURES FROM DOOR OR SINGLE HUNG WINDOW APPROVAL WILL APPLY TO ENTIRE SYSTEM.

THIS PRODUCT HAS BEEN DESIGNED AND TESTED TO COMPLY WITH THE REQUIREMENTS OF THE 2014 (5TH EDITION)/2017 (6TH EDITION) FLORIDA BUILDING CODE INCLUDING HIGH VELOCITY HURRICANE ZONE (HVHZ).

1BY OR 2BY WOOD BUCKS & BUCK FASTENERS BY OTHERS, MUST BE DESIGNED AND INSTALLED ADEQUATELY TO TRANSFER APPLIED PRODUCT LOADS TO THE BUILDING STRUCTURE.

ANCHORS SHALL BE CORROSION RESISTANT, SPACED AS SHOWN ON DETAILS AND INSTALLED PER MANUF'S INSTRUCTIONS. SPECIFIED EMBEDMENT TO BASE MATERIAL SHALL BE BEYOND WALL DRESSING OR STUCCO.

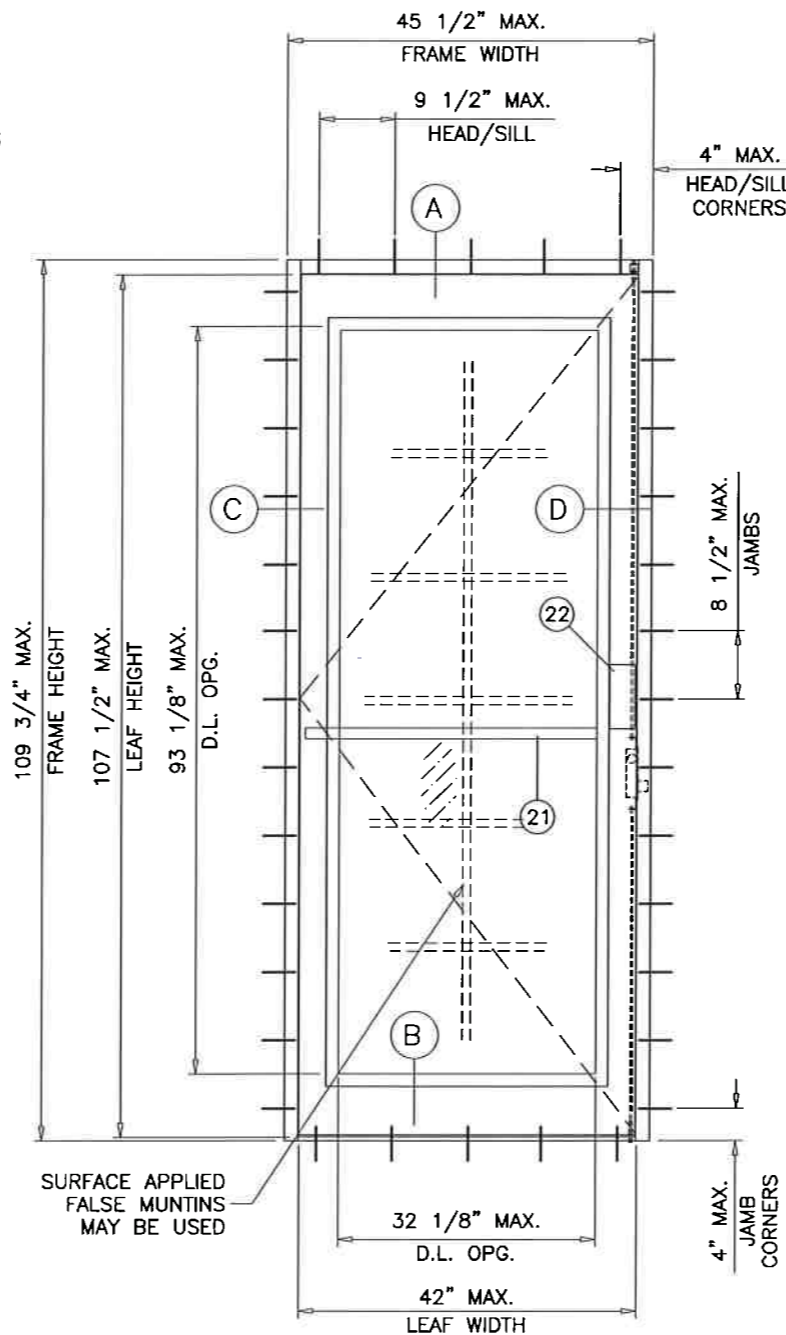
A LOAD DURATION INCREASE IS USED IN DESIGN OF ANCHORS INTO WOOD ONLY.

ALL SHIMS TO BE HIGH IMPACT, NON-METALLIC AND NON-COMPRESSIBLE.

MATERIALS INCLUDING BUT NOT LIMITED TO STEEL/METAL SCREWS, THAT COME INTO CONTACT WITH OTHER DISSIMILAR MATERIALS SHALL MEET THE REQUIREMENTS OF THE 2014/2017 FLORIDA BLDG. CODE & ADOPTED STANDARDS.

THIS PRODUCT APPROVAL IS GENERIC AND DOES NOT PROVIDE INFORMATION FOR A SITE SPECIFIC PROJECT, i.e. LIFE SAFETY OF THIS PRODUCT, ADEQUACY OF STRUCTURE RECEIVING THIS PRODUCT AND SEALING AROUND OPENING FOR WATER INFILTRATION RESISTANCE ETC. CONDITIONS NOT SHOWN IN THIS DRAWING ARE TO BE ANALYZED SEPARATELY, AND TO BE REVIEWED BY BUILDING OFFICIAL.

MANUFACTURER'S LABEL SHALL BE LOCATED ON A READILY VISIBLE LOCATION IN ACCORDANCE WITH SECTION 1709.9.3 OF FLORIDA BUILDING CODE. LABELING TO COMPLY WITH SECTION 1709.9.2.

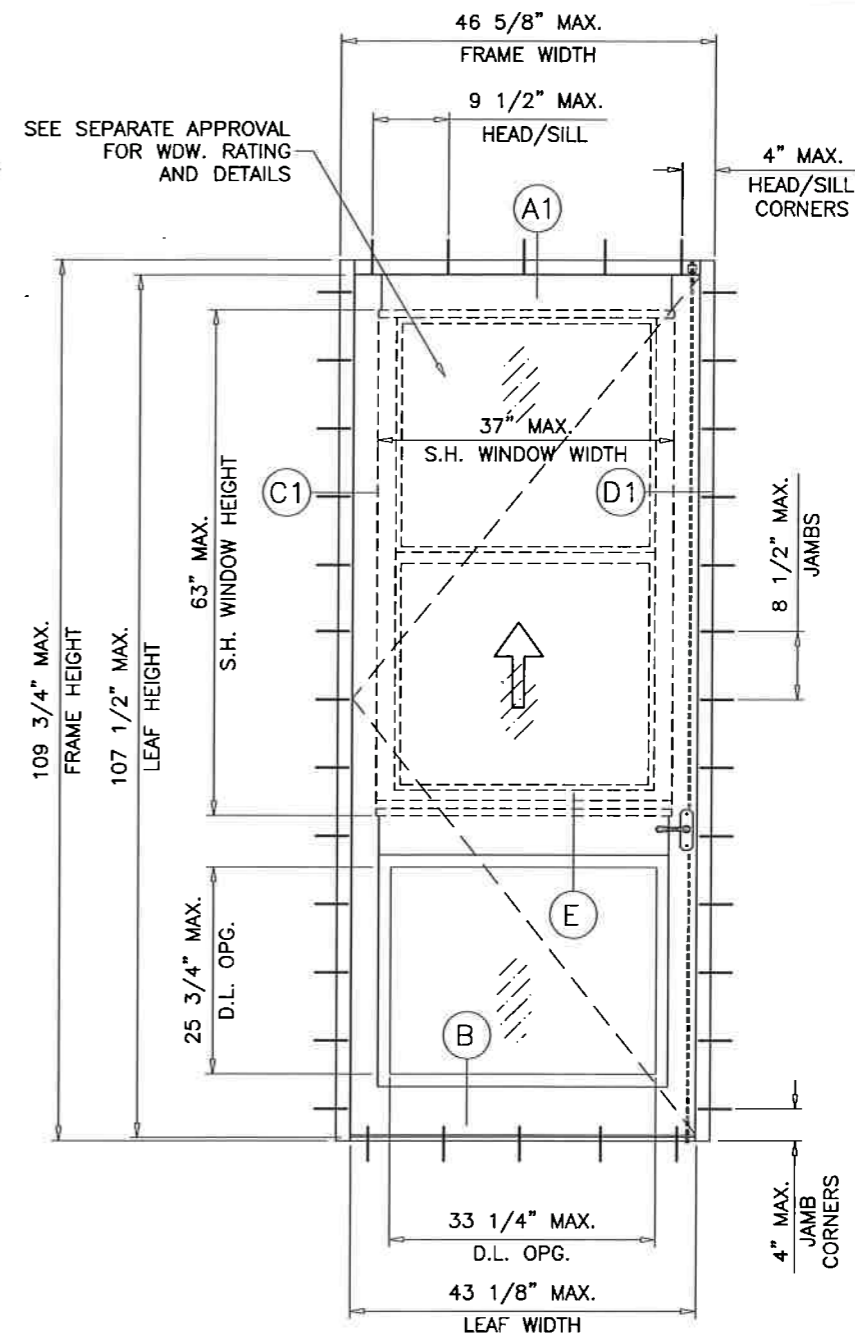


TYPICAL ELEVATION

MAXIMUM DESIGN LOAD RATING = + 100.0 PSF
(FOR SIZES SHOWN ABOVE OR SMALLER) - 120.0 PSF
DOORS WITHOUT WINDOWS

THESE DOORS ARE RATED FOR LARGE MISSILE IMPACT. SHUTTERS ARE NOT REQUIRED.

NOTE: GLASS CAPACITIES ON THIS SHEET ARE BASED ON ASTM E1300-09 (3 SEC. GUSTS).



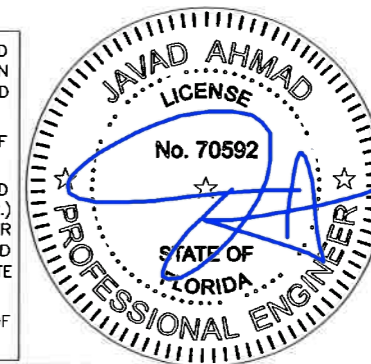
TYPICAL ELEVATION

MAXIMUM DESIGN LOAD RATING = + 90.0 PSF *
(FOR SIZES SHOWN ABOVE OR SMALLER) - 120.0 PSF
DOORS WITH WINDOWS

* LOWER RATING OF SINGLE HUNG WINDOW OR SINGLE DOOR SHALL CONTROL

FL #17682

- A- CONTRACTOR TO BE RESPONSIBLE FOR THE SELECTION, PURCHASE AND INSTALLATION OF THIS PRODUCT BASED ON THIS PRODUCT EVALUATION PROVIDED HE/SHE DOES NOT DEVIATE FROM THE CONDITIONS DETAILED ON THIS DOCUMENT.
- B- THIS PRODUCT EVALUATION DOCUMENT WILL BE CONSIDERED INVALID IF ALTERED BY ANY MEANS.
- C- SITE SPECIFIC PROJECTS SHALL BE PREPARED BY A FLORIDA REGISTERED ENGINEER OR ARCHITECT WHICH WILL BECOME THE ENGINEER OF RECORD (E.O.R.) FOR THE PROJECT AND WHO WILL BE RESPONSIBLE FOR THE PROPER USE OF THE P.E.D. ENGINEER OF RECORD, ACTING AS A DELEGATED ENGINEER TO THE P.E.D. ENGINEER SHALL SUBMIT TO THIS LATTER THE SITE SPECIFIC DRAWINGS FOR REVIEW.
- D- THIS P.E.D. SHALL BEAR THE DATE AND ORIGINAL SEAL AND SIGNATURE OF THE PROFESSIONAL ENGINEER OF RECORD THAT PREPARED IT.

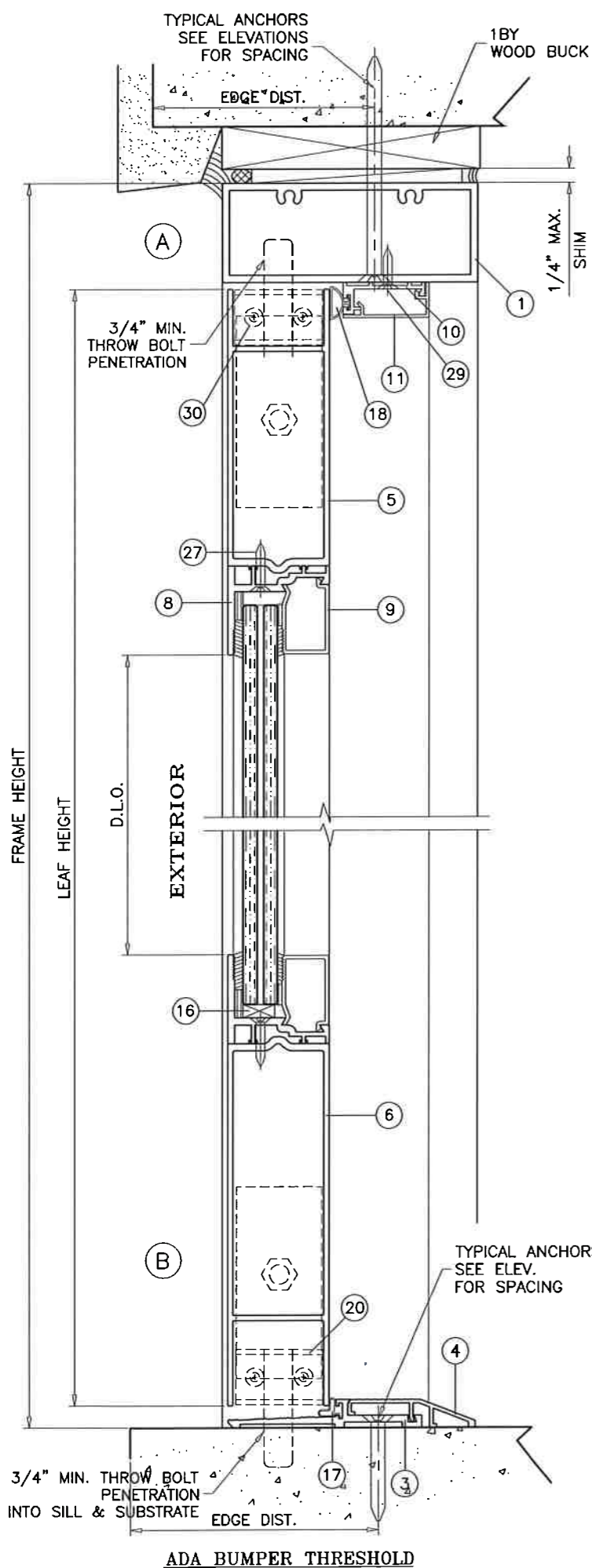


af c
AL-FAROOQ CORPORATION
ENGINEERS & PRODUCT DEVELOPMENT
9360 SUNSET DRIVE, SUITE 220
MIAMI, FLORIDA 33173 (C.A.N. 3538)
TEL. (305) 264-8100 FAX. (305) 262-6978
COMP-ANL\W15-18AAG

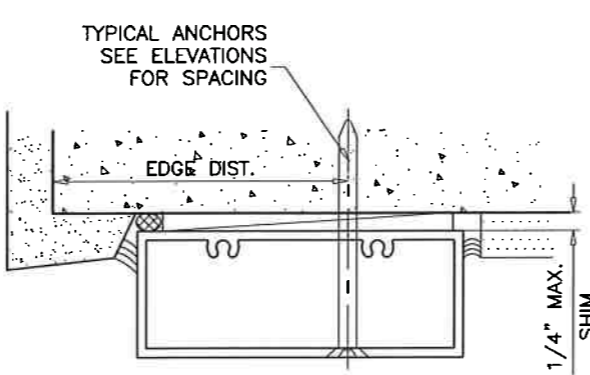
SMK-2/K-2 BREEZE ALUM ENTRANCE DOOR (L.M.I.)
Aldora Aluminum And Glass Products Inc.
11500 MIRAMAR PARKWAY /SUITE 300
MIRAMAR, FL. 33025
TEL. (305) 888-6288 FAX. (305) 888-6289

no.	date	description
A	10.16.17	UPDATED TO 2017 FBC

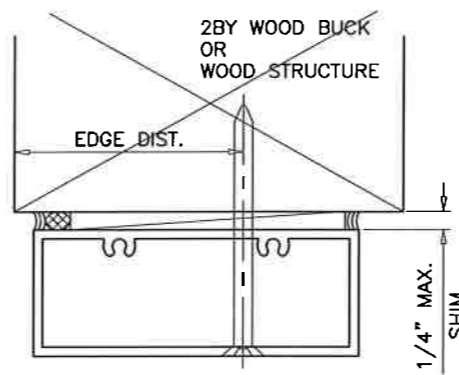
date:	04-24-15
scale:	1/2"=1'-0"
dr. by:	TARIC
chk. by:	
drawing no.	W15-18
sheet	1 of 7



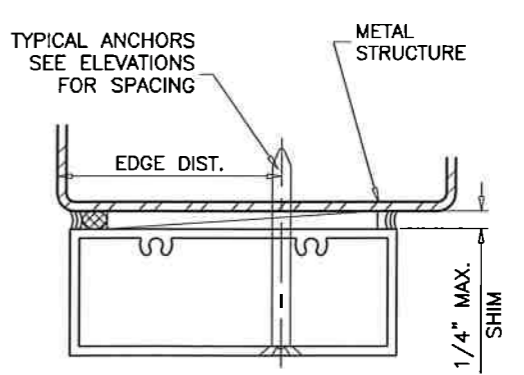
ADA BUMPER THRESHOLD



ALT. ADA BUMPER THRESHOLD



HI-RISE THRESHOLD



ALT. HI-RISE THRESHOLD

1BY OR 2BY WOOD BUCKS AND METAL STRUCTURE NOT BY 'ALDORA ALUMINUM AND GLASS PRODUCTS' MUST SUSTAIN LOADS IMPOSED BY GLAZING SYSTEM AND TRANSFER THEM TO THE BUILDING STRUCTURE.

TYPICAL ANCHORS: SEE ELEV. FOR SPACING

1/4" DIA. ULTRACON BY 'ELCO' (Fu=177 KSI, Fy=155 KSI) INTO 2BY WOOD BUCKS OR WOOD STRUCTURES 1-1/2" MIN. PENETRATION INTO WOOD (HEAD/JAMBS) THRU 1BY BUCKS INTO CONC. OR BLOCKS 1-1/4" MIN. EMBED INTO CONCRETE (HEAD/JAMBS) 1-1/4" MIN. EMBED INTO BLOCKS (JAMBS) DIRECTLY INTO CONCRETE OR BLOCKS 1-1/4" MIN. EMBED INTO CONCRETE (HEAD/JAMBS) 1-1/4" MIN. EMBED INTO BLOCKS (JAMBS)

1/4" DIA. TEKS OR SELF DRILLING SCREWS (GRADE 5 CRS) INTO F.B.C. APPROVED MULLIONS OR INTO METAL STRUCTURES (HEAD/JAMBS) (3) THREADS MIN. PENETRATION BEYOND SUBSTRATE ALUMINUM: 1/8" THK. MIN. (6063-T5 MIN.) STEEL: 1/8" THK. MIN. (Fy = 36 KSI MIN.) (STEEL IN CONTACT WITH ALUMINUM TO BE PLATED OR PAINTED)

TYPICAL EDGE DISTANCE

INTO CONCRETE AND MASONRY = 2" MIN.
 INTO WOOD STRUCTURE = 1" MIN.
 INTO METAL STRUCTURE = 3/4" MIN.

WOOD AT HEAD OR JAMBS SG = 0.55 MIN.
 CONCRETE AT HEAD, SILL OR JAMBS f'c = 3000 PSI MIN.
 C-90 HOLLOW/FILLED BLOCK AT JAMBS f'm = 2000 PSI MIN.

#8 X 3/4" SMS AT 3" FROM ENDS AND AT MID SPAN

FL #17682

date: 04-24-15
 scale: 3/8" = 1"
 dr. by: TARIQ
 ch. by:

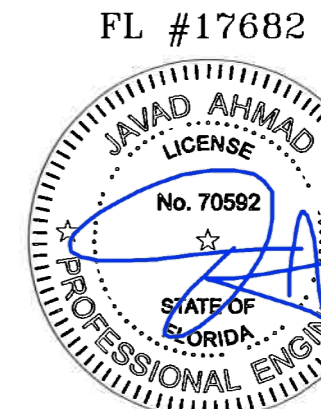
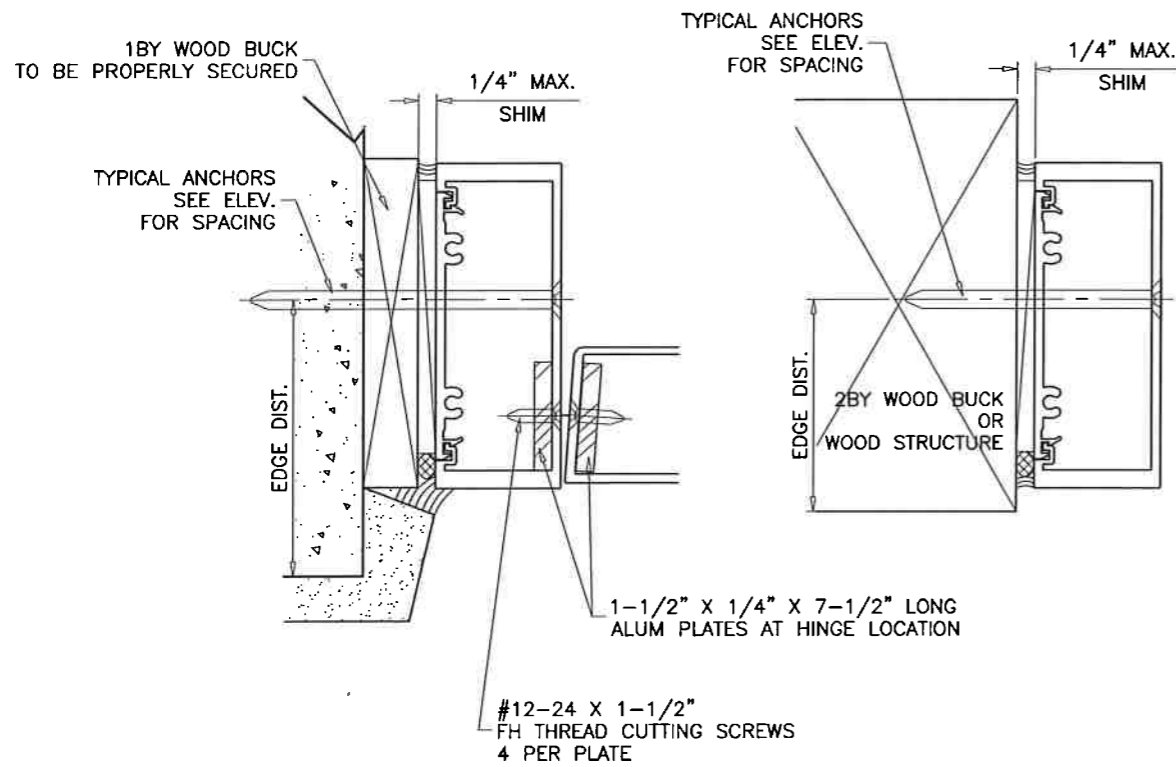
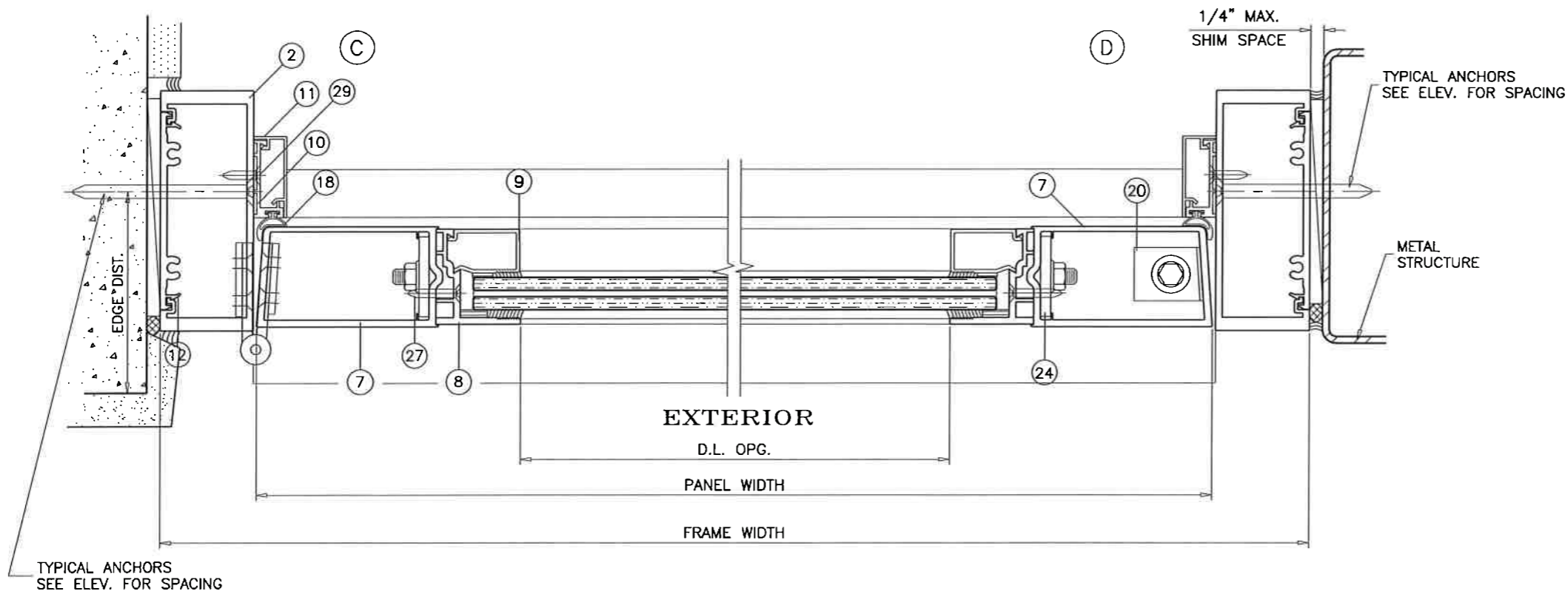
drawing no. W15-18
 sheet 2 of 7

af c

AL-FAROOQ CORPORATION
 ENGINEERS & PRODUCT DEVELOPMENT
 9360 SUNSET DRIVE, SUITE 220
 MIAMI, FLORIDA 33173 (C.A.N. 3538)
 TEL. (305) 264-8100 FAX. (305) 262-6978
 COMP-ANL\W15-18AAG

SMK-2/K-2 BREEZE ALUM ENTRANCE DOOR (L.M.I.)
 Aldora Aluminum And Glass Products Inc.
 11500 MIRAMAR PARKWAY SUITE 300
 MIRAMAR, FL 33025
 TEL. (305) 888-6288 FAX. (305) 888-6289

revisions:	no	date	by	description



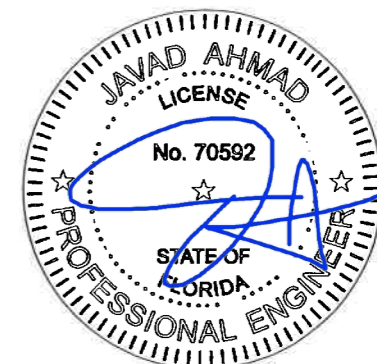
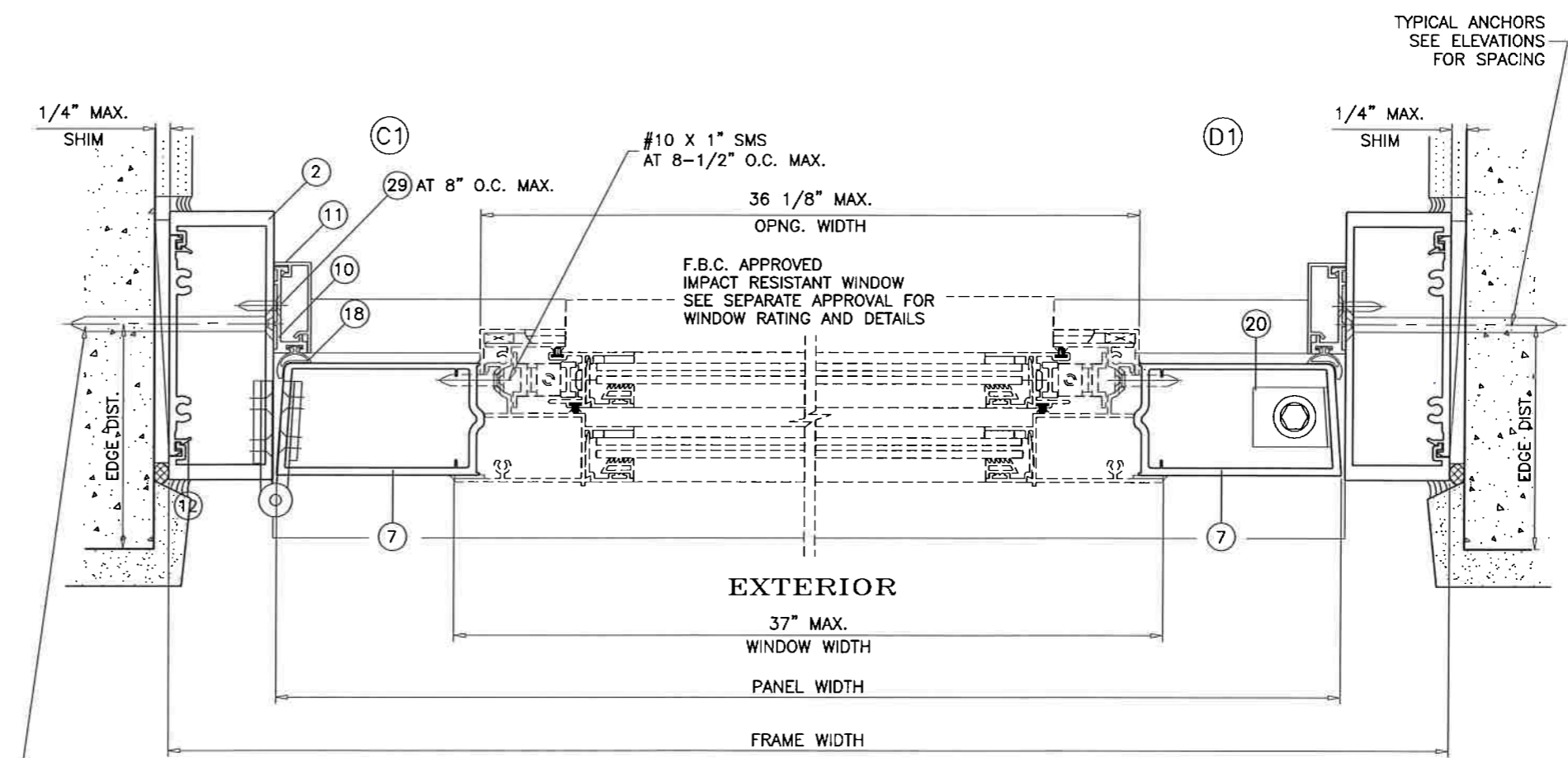
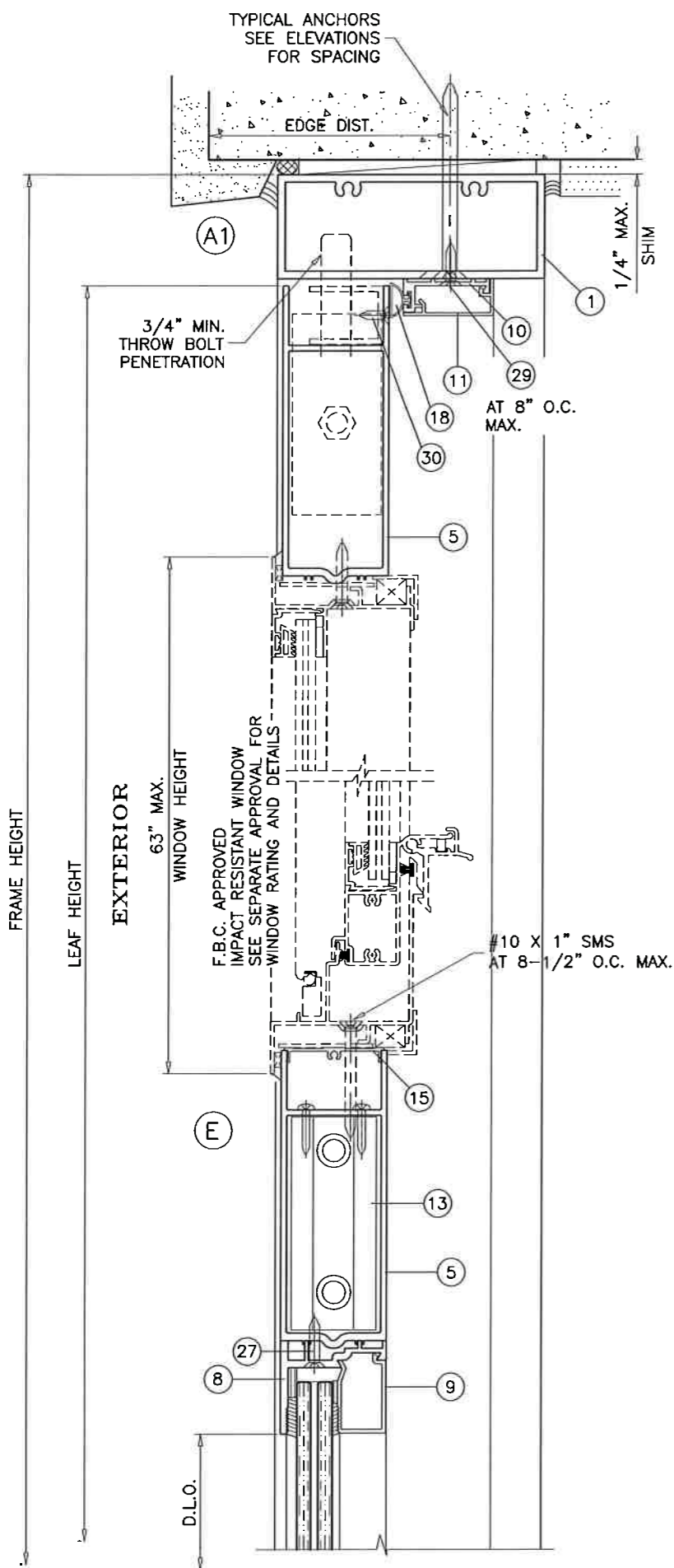
af c
AL-FAROOQ CORPORATION
 ENGINEERS & PRODUCT DEVELOPMENT
 9360 SUNSET DRIVE, SUITE 220
 MIAMI, FLORIDA 33173 (C.A.N. 3538)
 TEL. (305) 264-8100 FAX. (305) 262-6978
 COMP -ANL\W15-18AAG

SMK-2/K-2 BREEZE ALUM ENTRANCE DOOR (L.M.I.)
 Aldora Aluminum And Glass Products Inc.
 11500 MIRAMAR PARKWAY SUITE 300
 MIRAMAR, FL. 33025
 TEL. (305) 888-6288 FAX. (305) 888-6289

no.	date	by	description

date: 04-24-15
 scale: 3/8" = 1"
 dr. by: TARIQ
 chk. by:

drawing no.
W15-18
 sheet 3 of 7



FL #17682

afc
AL-FAROOQ CORPORATION
 ENGINEERS & PRODUCT DEVELOPMENT
 9360 SUNSET DRIVE, SUITE 220
 MIAMI, FLORIDA 33173 (C.A.N. 3538)
 TEL. (305) 264-8100 FAX. (305) 262-6978
 COMP-ANL\W15-18AAG

SMK-2/K-2 BREEZE ALUM ENTRANCE DOOR (L.M.I.)
 Aldora Aluminum And Glass Products Inc.
 11500 MIRAMAR PARKWAY SUITE 300
 MIRAMAR, FL. 33025
 TEL. (305) 888-6288 FAX. (305) 888-6289

no	date	by	description

date: 04-24-15
 scale: 3/8" = 1"
 dr. by: TARIQ
 chk. by:

drawing no.
W15-18
 sheet 4 of 7

Sealed: 10/18/2017

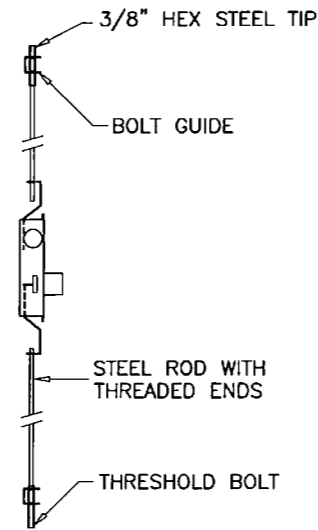
SEALANTS:

ALL FRAME AND LEAF CORNERS AND INSTALLATION SCREWS SEALED WITH SILICONE.
PERIMETER OF WINDOW FRAME TO DOOR LEAF AT EXTERIOR AND INTERIOR SEALED WITH SILICONE.

LOCKS:

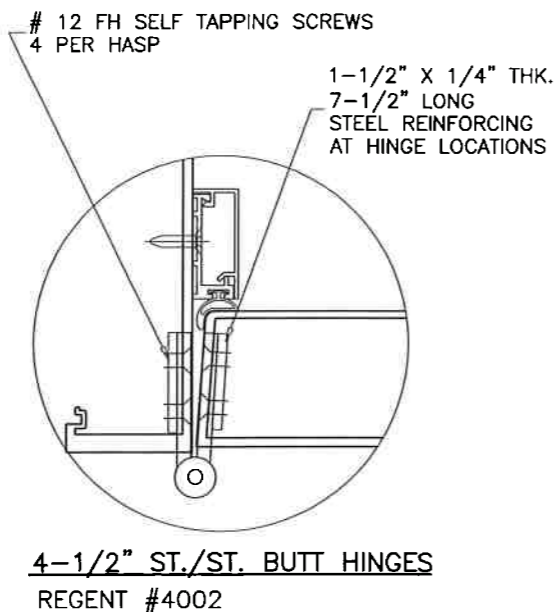
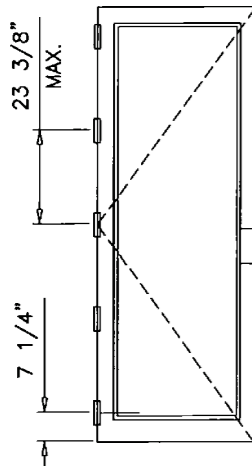
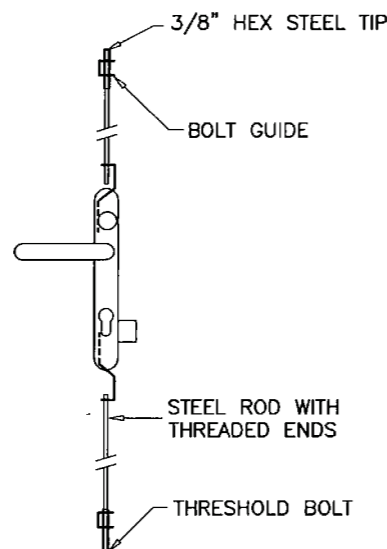
OPTION 1:

THREE POINT LOCK SYSTEM WITH 5 PLY HOOK LOCK BOLT REGENT 2222, KEY OPERATED ON EXTERIOR AND THUMB-TURN ON INTERIOR, LOCATED AT 34" FROM BOTTOM OF PANEL



OPTION 2:

THREE POINT LOCK SYSTEM WITH 4 PLY HOOK LOCK REGENT NO. 206-3P, KEY OPERATED ON EXTERIOR AND THUMB-TURN ON INTERIOR, LOCATED AT 36" FROM BOTTOM OF PANEL



ITEM #	PART #	REQD.	DESCRIPTION	MATERIAL	MANF./SUPPLIER/REMARKS
1	SMI-006	1	FRAME HEAD	6063-T6	-
2	SMI-005	2	FRAME JAMB	6063-T6	-
3	SMI-023	1	BUMPER THRESHOLD	6063-T6	-
3A	SMI-036	1	ALT. BUMPER THRESHOLD	6063-T6	-
4	SMI-024	1	ADA THRESHOLD COVER	6063-T6	-
4A	SMI-038	1	ALT. ADA THRESHOLD COVER	6063-T6	-
4B	SMI-037	1	ALT. ADA THRESHOLD COVER	6063-T6	-
5	SMI-012	1/ LEAF	TOP RAIL/MID RAIL	6063-T6	-
6	SMI-013	1/ LEAF	BOTTOM RAIL	6063-T6	-
7	SMI-011	1/ LEAF	DOOR STILE	6063-T6	-
8	SMI-008	4/ LEAF	EXTERIOR GLASS STOP (DOOR)	6063-T6	-
9	SMI-007	4/ LEAF	INTERIOR GLASS STOP (DOOR)	6063-T6	-
10	SMI-014	3/ DOOR	DOOR STOP BASE	6063-T6	-
11	SMI-015	3/ DOOR	DOOR STOP COVER	6063-T6	-
12	SMI-004	1/ ANCHOR	FLAT FILLER, 3" LONG	6063-T6	-
13	SMI-105	2	SHEAR BLOCK	6063-T6	-
14	SMI-G04	AS REQD.	GLAZING TAPE	FOAM	FRANK LOWE
14A	SMI-G05	AS REQD.	GLAZING TAPE	FOAM	FRANK LOWE
14B	SMI-G11	AS REQD.	ALT. GLAZING TAPE (3/16" X 5/16")	FOAM	FRANK LOWE
14C	SMI-G12	AS REQD.	ALT. GLAZING TAPE (1/8" X 5/16")	FOAM	FRANK LOWE
15	SMI-033	3	FALSE MUNTIN BASE	6063-T6	-
16	SMI-G03	AS REQD.	SETTING BLOCK (3/8" X 1/4" X 1/2" LONG)	EPDM	FRANK LOWE, (DUROMETER 85±5)
17	E20510K	AS REQD.	BULB W'STRIPPING	VINYL	ULTRAFAB, (DUROMETER 65±5)
18	E23610K	AS REQD.	BULB W'STRIPPING WITH FLAP	VINYL	ULTRAFAB, (DUROMETER 65±5)
19	-	2/ LEAF	3/8" THREADED ROD WITH NUT	STEEL	-
20	-	2/ LEAF	FLUSH BOLT GUIDE	ST. STEEL	-
21	-	AS REQD.	PUSH BAR	-	-
22	-	AS REQD.	PULL HANDLE	-	-
23	-	2	THRESHOLD CLIP	ALUMINUM	2" X 2" X 1/8" X 1" LONG
24	-	4/ LEAF	SUPPORT PLATE (1-1/4" X 2" X 1/8")	ALUMINUM	-
26	#12 X 1-1/2"	2/ CORNER	FRAME ASSEMBLY SCREWS	-	HEX H SELF DRILLING
27	#10 X 1"	AS REQD.	GLASS STOP SCREWS AT 4-1/2" O.C. MAX.	-	FH SMS
28	#10 X 1/2"	AS REQD.	THRESHOLD CLIP SCREWS	-	FH SELF DRILLING
29	#8 X 3/4"	AS REQD.	DOOR STOP SCREWS AT 8" O.C. MAX.	-	FH SMS
30	#10 X 5/16"	2/ GUIDE	GUIDE INSTALLATION SCREWS	-	FH MS
31	SMI-025	1	HI-RISE RHRESHOLD COVER	6063-T6	-
31A	SMI-039	1	ALT. HI-RISE RHRESHOLD COVER	6063-T6	-

afC
AL-FAROOQ CORPORATION
 ENGINEERS & PRODUCT DEVELOPMENT
 9360 SUNSET DRIVE, SUITE 220
 MIAMI, FLORIDA 33173 (C.A.N. 3558)
 TEL. (305) 264-8100 FAX. (305) 262-6978
 COMP-ANL\W15-18AAG

SMK-2/K-2 BREEZE ALUM ENTRANCE DOOR (L.M.I.)
 Aldora Aluminum And Glass Products Inc.
 11500 MIRAMAR PARKWAY SUITE 300
 MIRAMAR, FL. 33025
 TEL. (305) 888-6288 FAX. (305) 888-6289

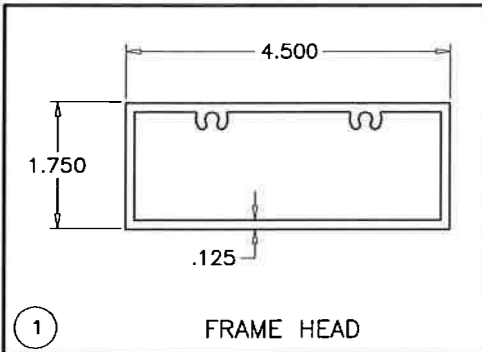
no	date	by	description

date: 04-24-15
 scale: 3/8" = 1"
 dr. by: TARIQ
 chk. by:

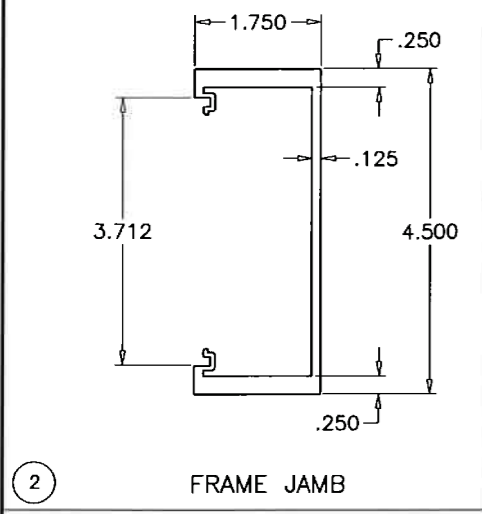
drawing no.
W15-18
 sheet 5 of 7

FL #17682

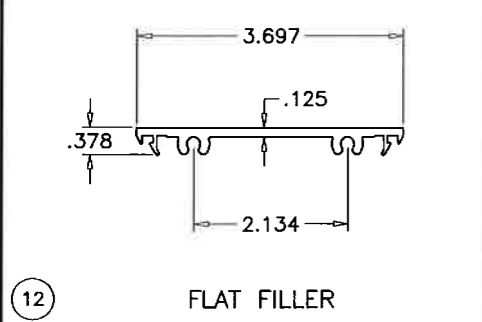
 JAVAD AHMAD
 LICENSE
 No. 70592
 STATE OF FLORIDA
 PROFESSIONAL ENGINEER



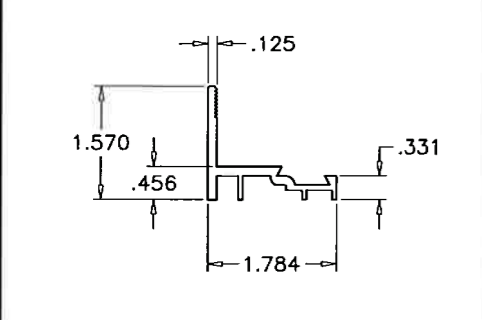
1 FRAME HEAD



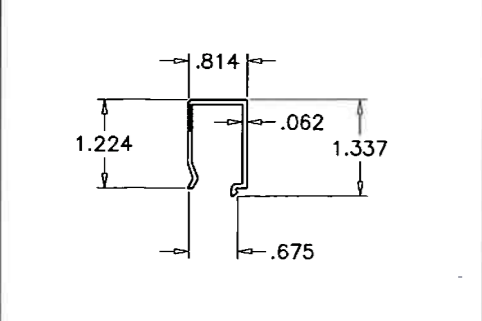
2 FRAME JAMB



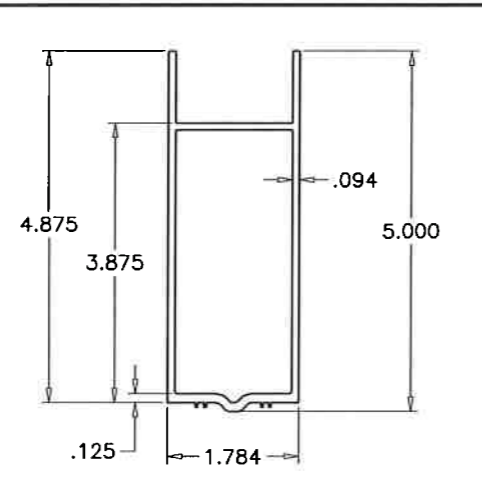
12 FLAT FILLER



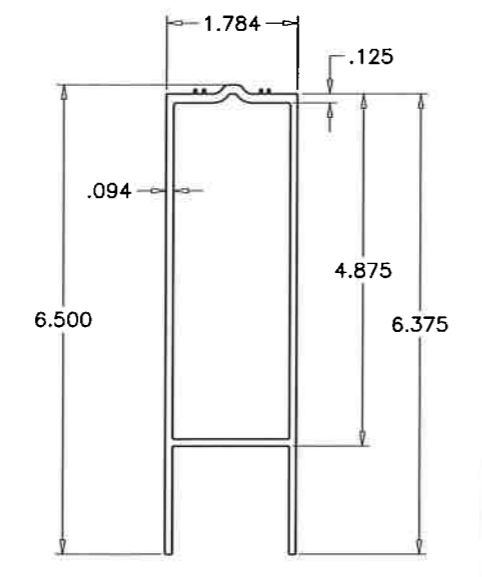
8 EXTERIOR GLASS STOP (DOOR)



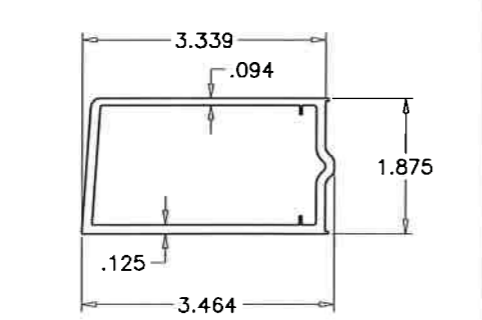
9 INTERIOR GLASS STOP (DOOR)



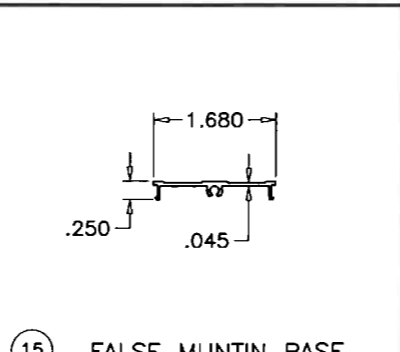
5 TOP RAIL/MID RAIL



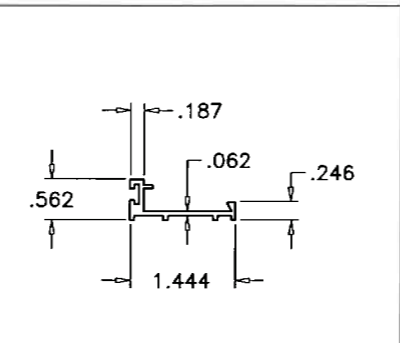
6 BOTTOM RAIL



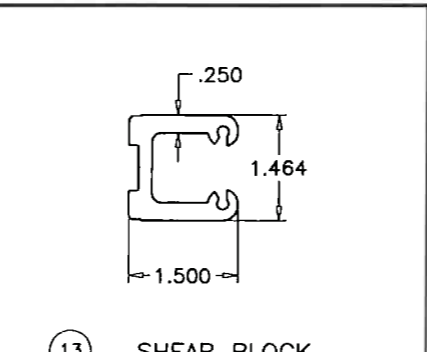
7 DOOR STILE



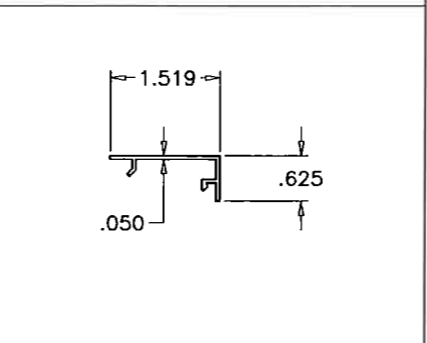
15 FALSE MUNTIN BASE



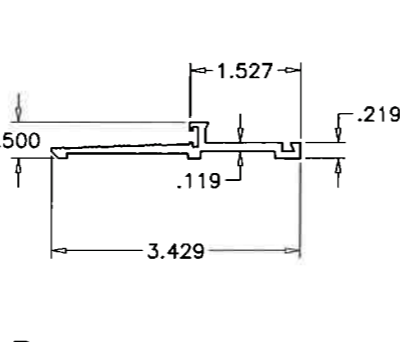
10 DOOR STOP BASE



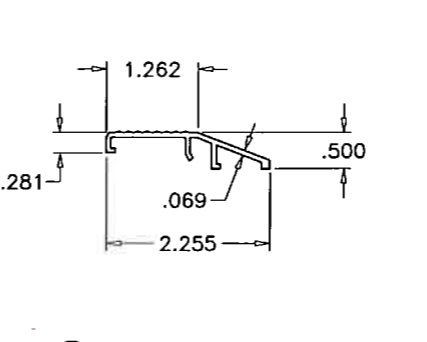
13 SHEAR BLOCK



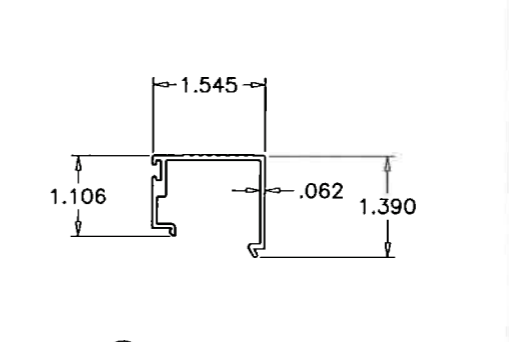
11 DOOR STOP COVER



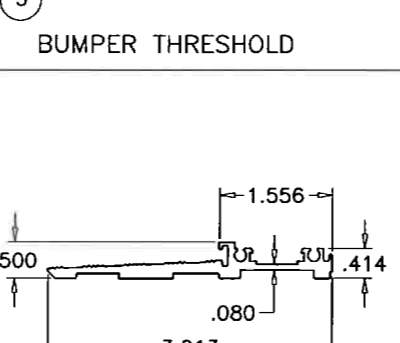
3 BUMPER THRESHOLD



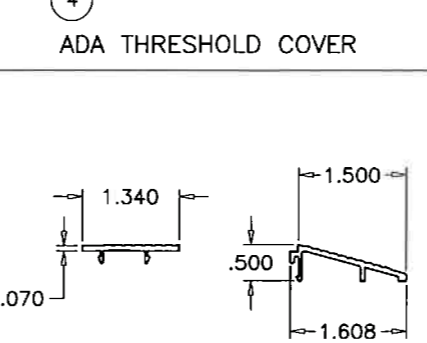
4 ADA THRESHOLD COVER



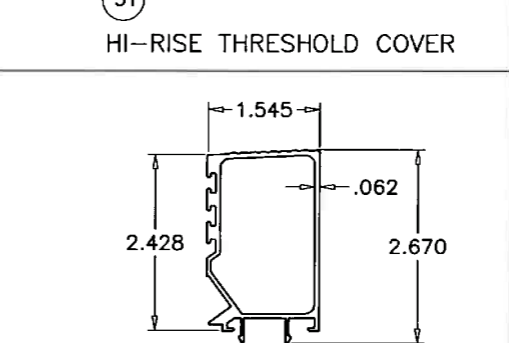
31 HI-RISE THRESHOLD COVER



3A ALT. BUMPER THRESHOLD



4A ALT. ADA THRESHOLD COVERS



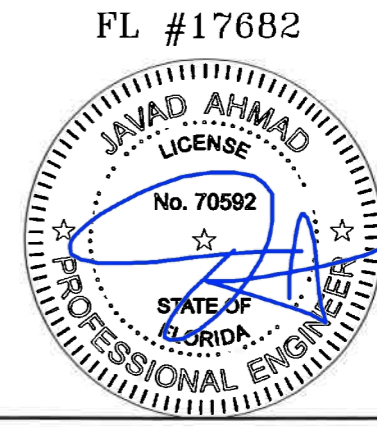
31A ALT. HI-RISE THRESHOLD COVER

af c
AL-FAROOQ CORPORATION
 ENGINEERS & PRODUCT DEVELOPMENT
 9360 SUNSET DRIVE, SUITE 220
 MIAMI, FLORIDA 33173 (C.A.N. 3538)
 TEL. (305) 262-6978 FAX. (305) 262-6978
 COMP-ANL\W15-18AAG

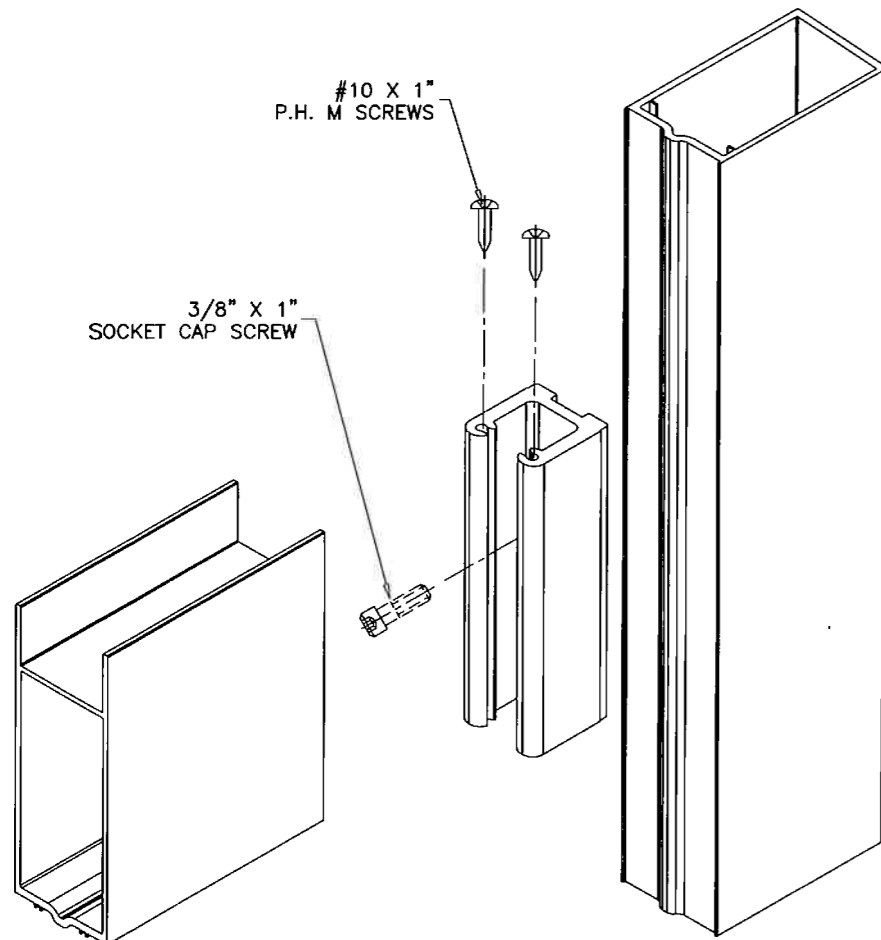
SMK-2/K-2 BREZE ALUM ENTRANCE DOOR (L.M.I.)
 Aldora Aluminum And Glass Products Inc.
 11500 MIRAMAR PARKWAY SUITE 300
 MIRAMAR, FL. 33025
 TEL. (305) 888-6288 FAX. (305) 888-6289

no	date	by	description

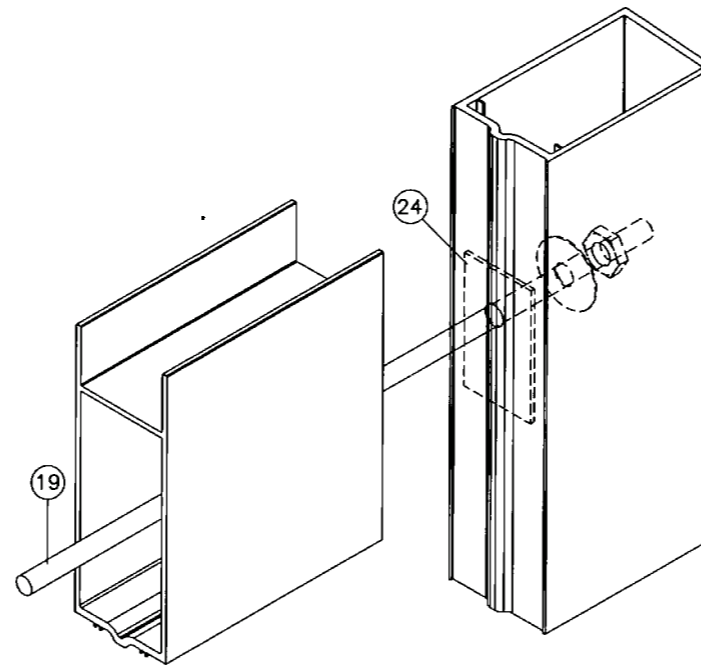
revisions:
 date: 04-24-15
 scale: 3/8" = 1"
 dr. by: TARIQ
 chk. by:
 drawing no.
W15-18
 sheet 6 of 7



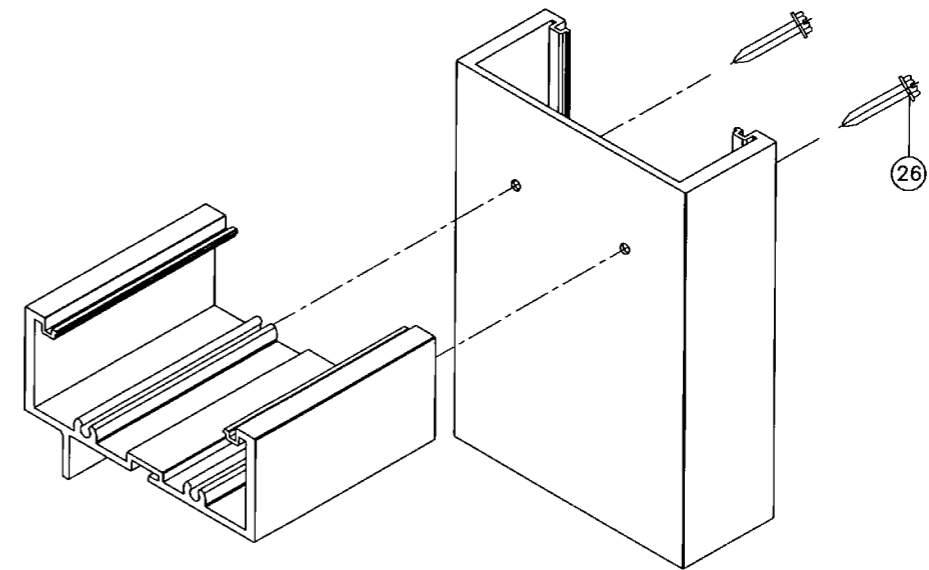
Sealed: 10/18/2017



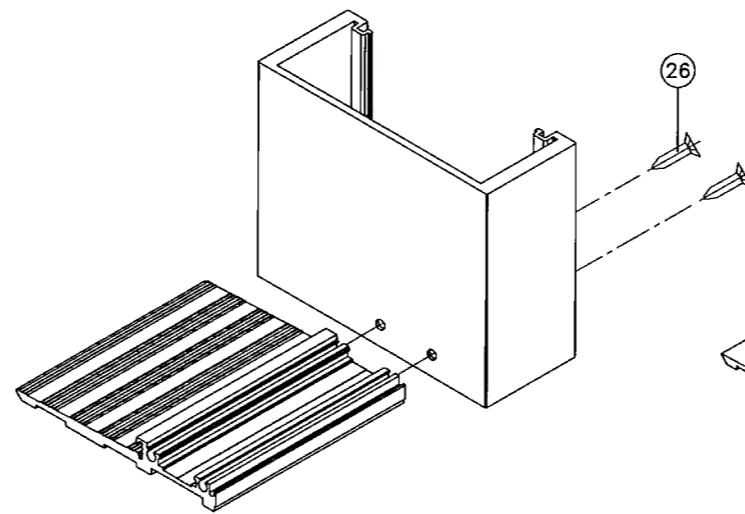
MID RAIL CORNER



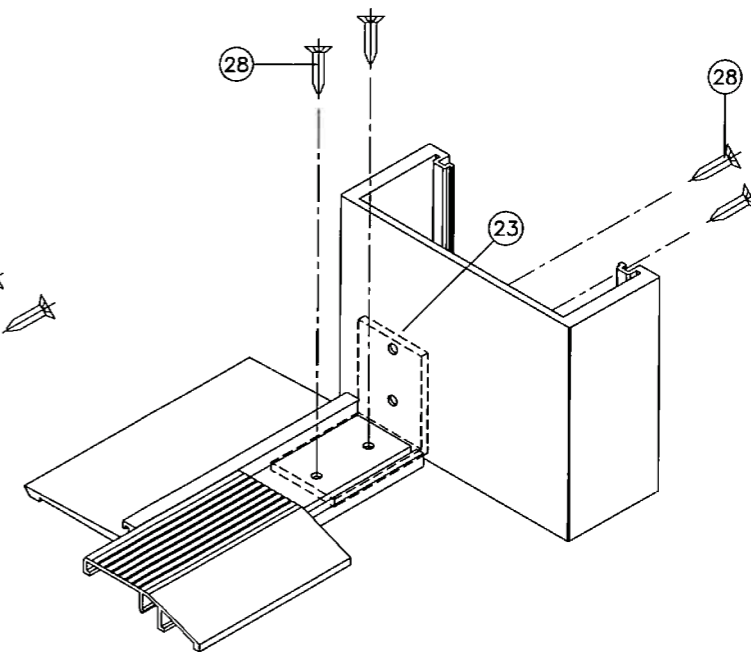
DOOR LEAF CORNER



FRAME TOP CORNER



FRAME BOTTOM CORNER



FL #17682



AL-FAROQ CORPORATION
 ENGINEERS & PRODUCT DEVELOPMENT
 9360 SUNSET DRIVE, SUITE 220
 MIAMI, FLORIDA 33173 (C.A.N. 3538)
 TEL. (305) 264-8100 FAX. (305) 262-6978
 COMP-ANL\W15-18AAG

SMK-2/K-2 BREEZE ALUM ENTRANCE DOOR (L.M.I.)
 Aldora Aluminum And Glass Products Inc.
 11500 MIRAMAR PARKWAY SUITE 300
 MIRAMAR, FL. 33025
 TEL. (305) 888-6288 FAX. (305) 888-6289

no	date	by	description

date: 04-24-15
 scale: 3/8" = 1"
 dr. by: TARIQ
 chk. by:

drawing no.
W15-18
 sheet 7 of 7