



The inswing version of the K2 Summit impact door offers true inswing capability to impact entrance doors. This allows for exit into a structure from common areas, meeting both egress and impact requirements. Despite

the inswing configuration, the Summit still achieves high design pressures and has many of the same options that the K2 Summit Outswing door has.



**FEATURES:**

- High design pressures
- 9/16" laminated or 1 5/16" laminated-insulated glass
- ADA bumper threshold

**OPTIONS:**

- Overhead concealed closer
- Continuous gear hinges
- 3/4" jamba
- 10" bottom rail for ADA

**ALDORA ALUMINUM &  
GLASS PRODUCTS**

[www.Aldora-Architectural.com](http://www.Aldora-Architectural.com)

11500 Miramar Parkway Suite 300 • Miramar, FL 33025  
Ph: 954.784.6900 Fax: 954.784.6901

7421 East Spartan Boulevard • Charleston, SC 29418  
Ph: 800-868-4527 Fax: 800-314-4436

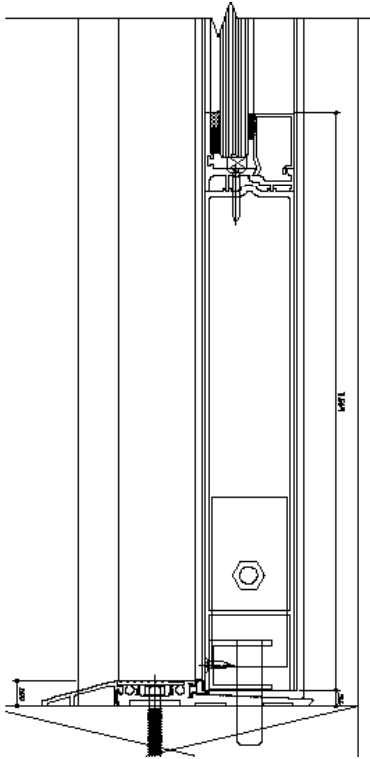
# K2

## SUMMIT IMPACT INSWING DOOR

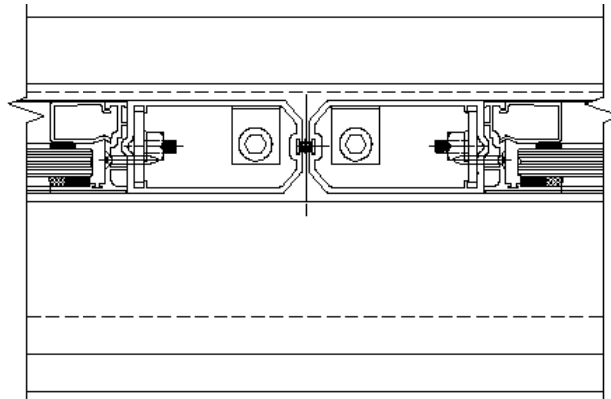


- High Design Pressures
  - 3/4" Jamb Available
- Optional 10" Bottom Rail
  - Continuous Gear Hinges Optional

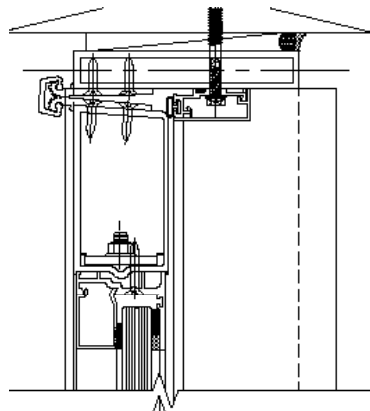
### DETAILS



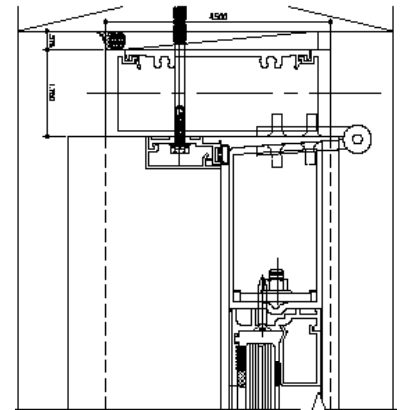
10" Bottom rail and ADA bumper threshold



Meeting stiles for Summit



Summit Inswing with 3/4" jamb and continuous hinge



Standard jamb installation

### PERFORMANCE

GLASS LOADS	9/16" HS Uvekol or 1 5/16" w/ HS Uvekol	9/16" Uvekol Annealed	9/16" .090 Saflex Annealed	1 5/16" .090 Saflex HS
	+80/-100 psf	+80/-100 psf	+80/-90 psf	+80/-90 psf
WATER	Not Water Rated			
MAX PANEL SIZE	Non-Reinforced		Reinforced	
	72 1/2" x 90 1/4" (+24" transom)		72 1/2" x 90 1/4" (+35 3/4" transom)	
TESTING PROTOCOL	<b>Miami Dade and Florida Building Code Approved</b>			
	TAS 201 Passed	TAS 202 Passed	TAS 203 Passed	ANSI Z97 Passed
ENERGY	Achieves energy code requirements with performance glass			

