



DEPARTMENT OF REGULATORY AND ECONOMIC RESOURCES (RER)
BOARD AND CODE ADMINISTRATION DIVISION

MIAMI-DADE COUNTY
PRODUCT CONTROL SECTION
11805 SW 26 Street, Room 208
T (786) 315-2590 F (786) 315-2599
www.miamidade.gov/economy

NOTICE OF ACCEPTANCE (NOA)

Aldora Aluminum & Glass Products, Inc.
11500 Miramar Parkway, Suite 300
Miramar, FL 33025

SCOPE:

This NOA is being issued under the applicable rules and regulations governing the use of construction materials. The documentation submitted has been reviewed and accepted by Miami-Dade County RER - Product Control Section to be used in Miami Dade County and other areas where allowed by the Authority Having Jurisdiction (AHJ).

This NOA shall not be valid after the expiration date stated below. The Miami-Dade County Product Control Section (In Miami Dade County) and/or the AHJ (in areas other than Miami Dade County) reserve the right to have this product or material tested for quality assurance purposes. If this product or material fails to perform in the accepted manner, the manufacturer will incur the expense of such testing and the AHJ may immediately revoke, modify, or suspend the use of such product or material within their jurisdiction. RER reserves the right to revoke this acceptance, if it is determined by Miami-Dade County Product Control Section that this product or material fails to meet the requirements of the applicable building code.

This product is approved as described herein, and has been designed to comply with the Florida Building Code, including the High Velocity Hurricane Zone.

DESCRIPTION: Series "SMI-175" Aluminum Window Wall System - L.M.I.

APPROVAL DOCUMENT: Drawing No. **W03-64**, titled "Series SMI-175 Alum Window Wall (L.M.I.)", sheets 1 through 10 of 10, dated 08/11/03, with revision **I** dated 08/02/17, prepared by Al-Farooq Corporation, signed and sealed by Javad Ahmad, P.E., bearing the Miami-Dade County Product Control Revision stamp with the Notice of Acceptance number and expiration date by the Miami-Dade County Product Control Section.

MISSILE IMPACT RATING: Large and Small Missile Impact Resistant

LABELING: Each unit shall bear a permanent label with the manufacturer's name or logo, city, state, model/series, and following statement: "Miami-Dade County Product Control Approved", unless otherwise noted herein.

RENEWAL of this NOA shall be considered after a renewal application has been filed and there has been no change in the applicable building code negatively affecting the performance of this product.

TERMINATION of this NOA will occur after the expiration date or if there has been a revision or change in the materials, use, and/or manufacture of the product or process. Misuse of this NOA as an endorsement of any product, for sales, advertising or any other purposes shall automatically terminate this NOA. Failure to comply with any section of this NOA shall be cause for termination and removal of NOA.

ADVERTISEMENT: The NOA number preceded by the words Miami-Dade County, Florida, and followed by the expiration date may be displayed in advertising literature. If any portion of the NOA is displayed, then it shall be done in its entirety.

INSPECTION: A copy of this entire NOA shall be provided to the user by the manufacturer or its distributors and shall be available for inspection at the job site at the request of the Building Official.

This NOA **revises and renews** NOA# **14-1112.06** and consists of this page 1 and evidence pages E-1, E-2, E-3 and E-4, as well as approval document mentioned above.

The submitted documentation was reviewed by **Manuel Perez, P.E.**



Handwritten signature and date: 11/29/17

NOA No. 17-0821.11
Expiration Date: November 21, 2022
Approval Date: October 26, 2017
Page 1

NOTICE OF ACCEPTANCE: EVIDENCE SUBMITTED

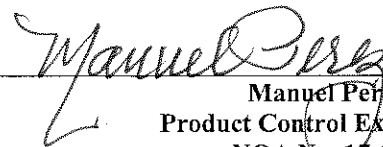
1. EVIDENCE SUBMITTED UNDER PREVIOUS NOA's

A. DRAWINGS

1. Manufacturer's die drawings and sections.
(Submitted under NOA's #02-0927.10, #03-0925.01 and #11-0412.05)
2. Drawing No **W03-64**, titled "Series SMI-175 Alum Window Wall (L.M.I.)", sheets 1 through 10 of 10, dated 08/11/03, with revision H dated 10/24/14, prepared by Al-Farooq Corporation, signed and sealed by Javad Ahmad, P.E.

B. TESTS

1. Test reports on: 1) Air Infiltration Test per FBC, TAS 202-94
2) Uniform Static Air Pressure Test Loading per FBC, TAS 202-94
3) Water Resistance Test per FBC, TAS 202-94
4) Large Missile Impact Test per FBC, TAS 201-94
5) Cyclic Wind Pressure Loading per FBC, TAS 203-94
along with marked-up drawings and installation diagram of an aluminum window wall system, prepared by Fenestration Testing Laboratory, Inc., Test Reports No. **FTL-5070**, dated 10/05/06, signed and sealed by Marlin D. Brinson, P.E.
(Submitted under NOA#11-0412.05)
2. Test reports on: 1) Air Infiltration Test, per FBC, TAS 202-94
2) Uniform Static Air Pressure Test, Loading per FBC, TAS 202-94
3) Water Resistance Test, per FBC, TAS 202-94
4) Large Missile Impact Test per FBC, TAS 201-94
5) Cyclic Wind Pressure Loading per FBC, TAS 203-94
along with marked-up drawings and installation diagram of an aluminum window wall system, prepared by Fenestration Testing Laboratory, Inc., Test Report No. **FTL-3721** dated 03/26/03, signed and sealed by Joseph Chan, P.E.
(Submitted under NOA#03-0925.01)
3. Test reports on: 1) Air Infiltration Test, per FBC, TAS 202-94
2) Uniform Static Air Pressure Test, Loading per FBC, TAS 202-94
3) Water Resistance Test, per FBC, TAS 202-94
4) Large Missile Impact Test per FBC, TAS 201-94
5) Cyclic Wind Pressure Loading per FBC, TAS 203-94
along with marked-up drawings and installation diagram of an aluminum window wall system, prepared by Fenestration Testing Laboratory, Inc., Test Report No. **FTL-3833** dated 08/05/03, signed and sealed by Joseph Chan, P.E.
(Submitted under NOA#03-0925.01)



Manuel Perez, P.E.
Product Control Examiner
NOA No. 17-0821.11

Expiration Date: November 21, 2022


Approval Date: October 26, 2017

Aldora Aluminum & Glass Products, Inc.

NOTICE OF ACCEPTANCE: EVIDENCE SUBMITTED

B. TESTS (CONTINUED)

4. Test reports on: 1) Air Infiltration Test, per FBC, TAS 202-94
2) Uniform Static Air Pressure Test, Loading per FBC, TAS 202-94
3) Water Resistance Test, per FBC, TAS 202-94
4) Large Missile Impact Test per FBC, TAS 201-94
5) Cyclic Wind Pressure Loading per FBC, TAS 203-94
along with marked-up drawings and installation diagram of an aluminum window wall system, prepared by Fenestration Testing Laboratory, Inc., Test Report No. **FTL-3465** dated 7/17/02, signed and sealed by James Worth, P.E.
(Submitted under NOA#02-0927.10)
5. Test reports on: 1) Air Infiltration Test per FBC, TAS 202-94
2) Uniform Static Air Pressure Test Loading per FBC, TAS 202-94
3) Water Resistance Test per FBC, TAS 202-94
4) Large Missile Impact Test per FBC, TAS 201-94
5) Cyclic Wind Pressure Loading per FBC, TAS 203-94
6) Forced Entry Test, per FBC 2411.3.2.1 (b) and TAS 202-94
along with marked-up drawings and installation diagram of an aluminum outswing door, prepared by Fenestration Testing Laboratory, Inc., Test Reports No. **FTL-4267**, dated 08/13/04, signed and sealed by Edmundo Largaespada, P.E.
(Submitted under NOA #05-0301.04) For reference only
6. Test reports on: 1) Air Infiltration Test per FBC, TAS 202-94
2) Uniform Static Air Pressure Test Loading per FBC, TAS 202-94
3) Water Resistance Test per FBC, TAS 202-94
4) Large Missile Impact Test per FBC, TAS 201-94
5) Cyclic Wind Pressure Loading per FBC, TAS 203-94
6) Forced Entry Test, per FBC 2411.3.2.1 (b) and TAS 202-94
along with marked-up drawings and installation diagram of an aluminum outswing door, prepared by Fenestration Testing Laboratory, Inc., Test Reports No. **FTL-4257**, dated 07/18/04, signed and sealed by Edmundo Largaespada, P.E.
(Submitted under NOA #10-0511.02) For reference only
7. Test reports on: 1) Air Infiltration Test, per FBC, TAS 202-94
2) Uniform Static Air Pressure Test, Loading per FBC TAS 202-94
3) Water Resistance Test, per FBC, TAS 202-94(Not performed)
4) Large Missile Impact Test per FBC, TAS 201-94
5) Cyclic Wind Pressure Loading per FBC, TAS 203-94
6) Forced Entry Test, Per FBC 2411 3.2.1 and TAS 202-94
along with marked-up drawings and installation diagram of an aluminum outswing XXOO door system, prepared by Fenestration Testing Laboratory, Inc., Test Report No. **FTL-3997**, dated 12/04/03, signed and sealed by Edmundo Largaespada, P.E.
(Submitted under NOA #08-1202.14) For reference only


Manuel Perez, P.E.
Product Control Examiner
NOA No. 17-0821.11

Expiration Date: November 21, 2022
Approval Date: October 26, 2017

Aldora Aluminum & Glass Products, Inc.

NOTICE OF ACCEPTANCE: EVIDENCE SUBMITTED

C. **CALCULATIONS:**

1. Anchor verification calculations and structural analysis, complying with **FBC-5th Edition (2014)**, dated 10/07/14, prepared by Al-Farooq Corporation, signed and sealed by Javad Ahmad, P.E.
2. Glazing complies with **ASTM E1300-09**.

D. **QUALITY ASSURANCE**

1. Miami-Dade Department of Regulatory and Economic Resources (RER)

E. **MATERIAL CERTIFICATIONS**


1. Notice of Acceptance No. **14-0423.17** issued to **Eastman Chemical Company (MA)** for their "**Saflex Clear and Color Glass Interlayers**" dated 06/19/14, expiring on 05/21/16.
2. Notice of Acceptance No. **13-1126.20** issued to **Allnex USA, Inc.** for their "**Uvekol S Laminated Glass Interlayer**", dated 02/20/14, expiring on 02/08/19.

F. **STATEMENTS**

1. Statement letter of conformance, complying with **FBC 5th Edition (2014)**, and of no financial interest, dated October 7, 2014, issued by Al-Farooq Corporation, signed and sealed by Javad Ahmad, P.E.
2. Laboratory compliance letter for Test Report No. **FTL-3721** and **FTL-3833** issued by Fenestration Testing Laboratory, Inc., dated 4/15/03 and 8/7/03 respectively, signed and sealed by Joseph Chan, P.E.
(Submitted under NOA#03-0925.01)
3. Laboratory compliance letter for Test Report No. **FTL-3465**, issued by Fenestration Testing Laboratory, Inc., dated 8/8/02, signed and sealed by James Worth, P.E.
(Submitted under NOA#02-0927.10)

G. **OTHERS**

1. Notice of Acceptance No. **13-1021.07**, issued to Aldora Aluminum & Glass Products, Inc. for their Series "**SMI-175**" Aluminum Window Wall System - L.M.I., approved on 12/19/13 and expiring on 11/21/17.


Manuel Perez, P.E.
Product Control Examiner
NOA No. 17-0821.11
Expiration Date: November 21, 2022
Approval Date: October 26, 2017

Aldora Aluminum & Glass Products, Inc.

NOTICE OF ACCEPTANCE: EVIDENCE SUBMITTED

2. NEW EVIDENCE SUBMITTED

A. DRAWINGS

1. Drawing No **W03-64**, titled "Series SMI-175 Alum Window Wall (L.M.I.)", sheets 1 through 10 of 10, dated 08/11/03, with revision **I** dated 08/02/17, prepared by Al-Farooq Corporation, signed and sealed by Javad Ahmad, P.E.

B. TESTS

1. None

C. CALCULATIONS

1. Anchor verification calculations and structural analysis, complying with **FBC 6th Edition (2017)**, dated 07/24/17, prepared by Al-Farooq Corporation, signed and sealed by Javad Ahmad, P.E.

D. QUALITY ASSURANCE

1. Miami-Dade Department of Regulatory and Economic Resources (RER)

E. MATERIAL CERTIFICATIONS

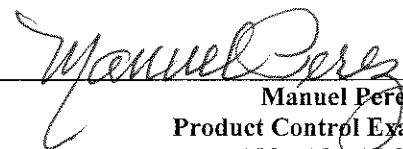
1. Notice of Acceptance No. **15-1201.11** issued to **Eastman Chemical Company (MA)** for their "**Saflex Clear and Color Glass Interlayers**" dated 03/17/16, expiring on 05/21/21.
2. Notice of Acceptance No. **13-1126.20** issued to **Allnex USA, Inc.** for their "**Uvekol S Laminated Glass Interlayer**", dated 02/20/14, expiring on 02/08/19.

F. STATEMENTS

1. Statement letter of conformance, complying with **FBC 5th Edition (2014)** and with **FBC 6th Edition (2017)**, dated July 27, 2017, issued by Al-Farooq Corporation, signed and sealed by Javad Ahmad, P.E.

G. OTHERS

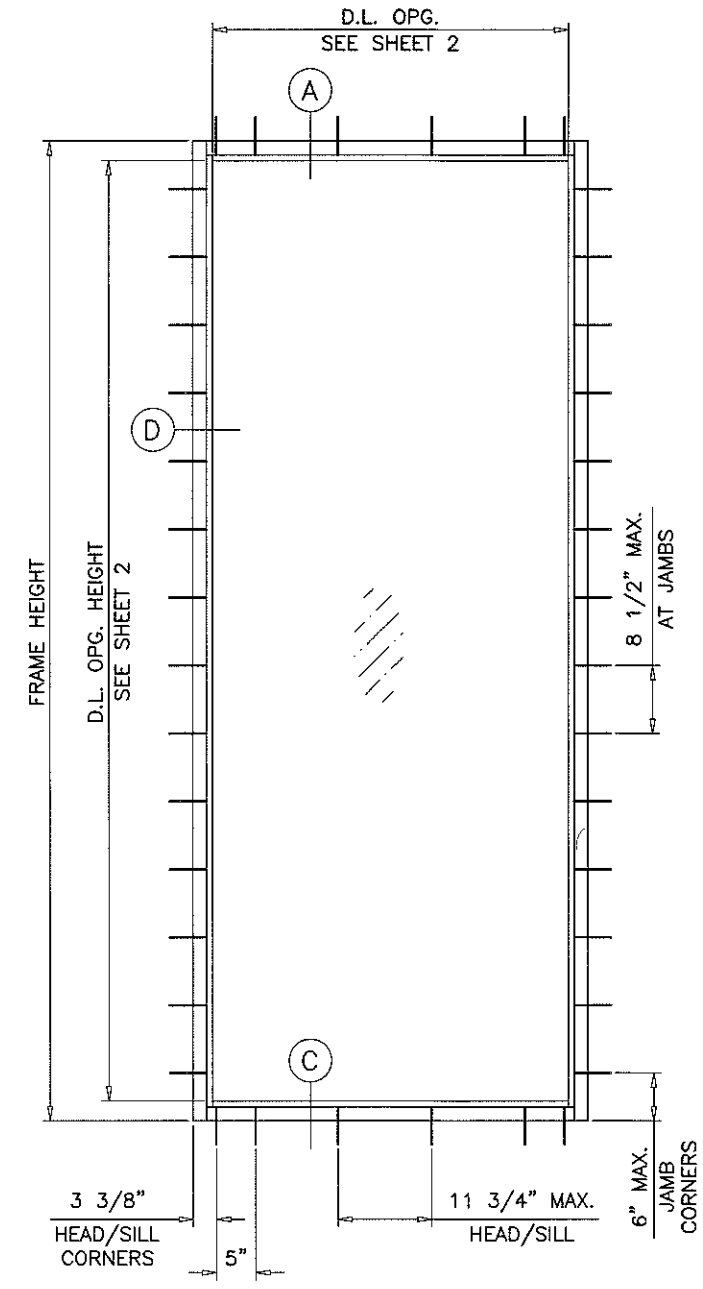
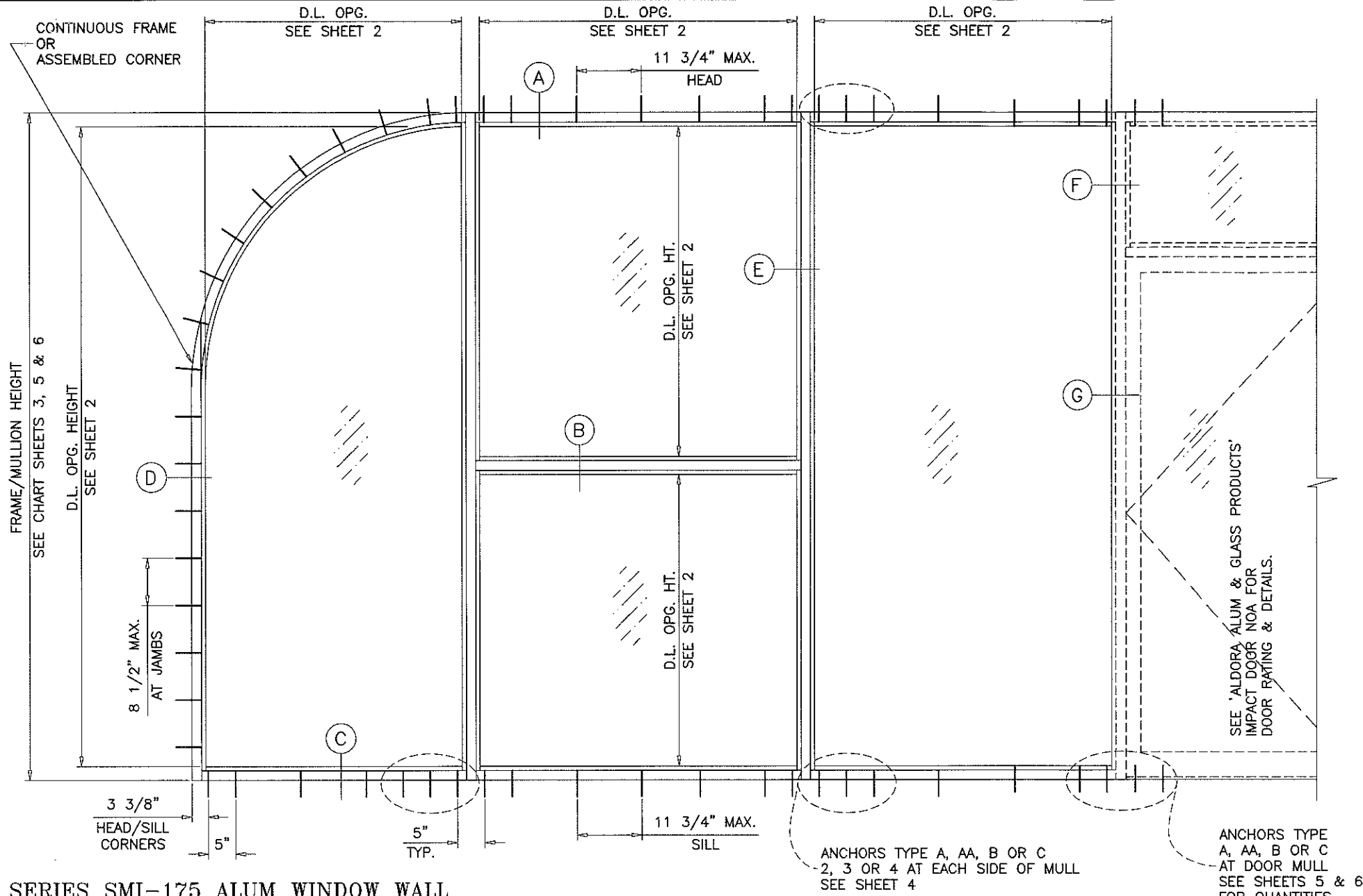
1. Notice of Acceptance No. **14-1112.06**, issued to Aldora Aluminum & Glass Products, Inc. for their Series "SMI-175" Aluminum Window Wall System – L.M.I., approved on 03/26/15 and expiring on 11/21/17.



Manuel Perez, P.E.
Product Control Examiner
NOA No. 17-0821.11

Expiration Date: November 21, 2022

Approval Date: October 26, 2017



SERIES SMI-175 ALUM WINDOW WALL

THIS SYSTEM MAY BE USED IN CONJUNCTION WITH MIAMI-DADE COUNTY APPR'D LARGE MISSILE IMPACT RESISTANT DOORS. LOWER DESIGN PRESSURE FROM STOREFRONT OR DOOR APPROVAL WILL APPLY TO ENTIRE SYSTEM. CODE REQUIREMENTS FOR SAFEGUARDS MUST BE OBSERVED.

THIS PRODUCT HAS BEEN DESIGNED AND TESTED TO COMPLY WITH THE REQUIREMENTS OF THE 2014 (5TH EDITION)/2017 (6TH EDITION) FLORIDA BUILDING CODE INCLUDING HIGH VELOCITY HURRICANE ZONE (HVHZ).

1BY OR 2BY WOOD BUCKS & BUCK FASTENERS BY OTHERS, MUST BE DESIGNED AND INSTALLED ADEQUATELY TO TRANSFER APPLIED PRODUCT LOADS TO THE BUILDING STRUCTURE.

ANCHORS SHALL BE CORROSION RESISTANT, SPACED AS SHOWN ON DETAILS AND INSTALLED PER MANUF'S INSTRUCTIONS. SPECIFIED EMBEDMENT TO BASE MATERIAL SHALL BE BEYOND WALL DRESSING OR STUCCO.

A LOAD DURATION INCREASE IS USED IN DESIGN OF ANCHORS INTO WOOD ONLY.

ALL SHIMS TO BE HIGH IMPACT, NON-METALLIC AND NON-COMPRESSIBLE.

MATERIALS INCLUDING BUT NOT LIMITED TO STEEL/METAL SCREWS, THAT COME INTO CONTACT WITH OTHER DISSIMILAR MATERIALS SHALL MEET THE REQUIREMENTS OF THE 2014/2017 FLORIDA BLDG. CODE & ADOPTED STANDARDS.

THIS PRODUCT APPROVAL IS GENERIC AND DOES NOT PROVIDE INFORMATION FOR A SITE SPECIFIC PROJECT, I.E. LIFE SAFETY OF THIS PRODUCT, ADEQUACY OF STRUCTURE RECEIVING THIS PRODUCT AND SEALING AROUND OPENING FOR WATER INFILTRATION RESISTANCE ETC.

CONDITIONS NOT SHOWN IN THIS DRAWING ARE TO BE ANALYZED SEPARATELY, AND TO BE REVIEWED BY BUILDING OFFICIAL.

TYPICAL ELEVATIONS

THIS SYSTEM IS RATED FOR LARGE MISSILE IMPACT. SHUTTERS ARE NOT REQUIRED.

INSTRUCTIONS:

USE CHARTS AS FOLLOWS.

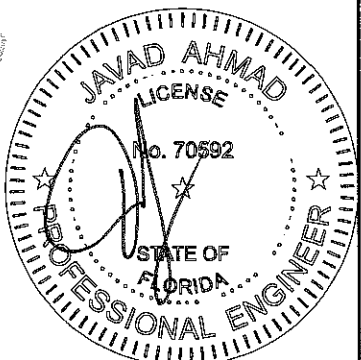
- STEP 1** DETERMINE DESIGN WIND LOAD REQUIREMENT BASED ON WIND VELOCITY, BLDG. HEIGHT, WIND ZONE USING APPLICABLE ASCE 7 STANDARD.
- STEP 2** SEE CHARTS ON SHEET 2 FOR DESIGN LOAD CAPACITY OF DESIRED GLASS SIZE.
- STEP 3** CHECK MULLION CAPACITY FOR A GIVEN SPACING AND HEIGHT USING CHARTS ON SHEET 3 FOR STOREFRONT MULLION AND SHEET 5 & 6 FOR DOOR MULLION. THE CAPACITY SHOULD EXCEED THE DESIGN LOAD.
- STEP 4** USING CHART ON SHEETS 4 SELECT ANCHOR OPTION WITH DESIGN RATING MORE THAN DESIGN LOAD SPECIFIED IN STEP 1 ABOVE.
- STEP 5** THE LOWEST VALUE RESULTING FROM STEPS 2, 3 AND 4 SHALL APPLY TO ENTIRE SYSTEM.

SINGLE 'O' PANEL:
 FRAME WIDTH = D.L.O. WIDTH + 5.00"
 FRAME HEIGHT = D.L.O. HEIGHT + 5.00"

WINDOW WALL SYSTEM WITH GLASS TYPES 'C' & 'D'
 COMPLY WITH REQUIREMENTS OF ANSI Z97.1.

**LAMINATED GLASS
 LARGE MISSILE IMPACT**

PRODUCT REVISED as complying with the Florida Building Code Acceptance No. 17-0821-11 Expiration Date Nov. 21, 2022
 By *Manuel Perez*
 Miami Dade Product Control



af c
AL-FAROOQ CORPORATION
 ENGINEERS & PRODUCT DEVELOPMENT
 9360 SUNSET DRIVE, SUITE 220
 MIAMI, FLORIDA 33173 (C.A.N. 3538)
 TEL. (305) 264-8100 FAX. (305) 262-6978
 COMP-ANL\W03-64SM

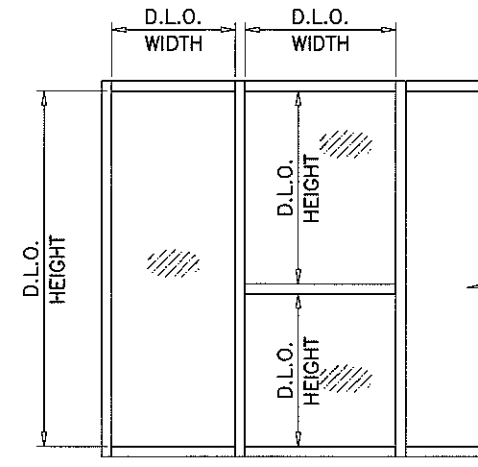
SERIES SMI-175 ALUM WINDOW WALL (L.M.I.)
 Aldora Aluminum & Glass Products, Inc.
 11500 MIRAMAR PARKWAY SUITE 300
 MIRAMAR, FL. 33025
 TEL. (305) 888-6288 FAX. (305) 888-6289

no	date	description
E	07.18.11	NO CHANGE THIS SHEET
F	08.12.13	MANUF. NAME REV.
G	12.09.13	MANUF. ADDRESS REV.
H	10.24.14	UPDATED TO 2014 FBC
I	08.02.17	UPDATED TO 2017 FBC

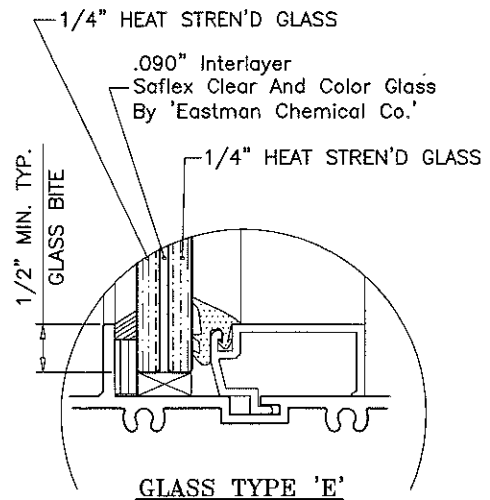
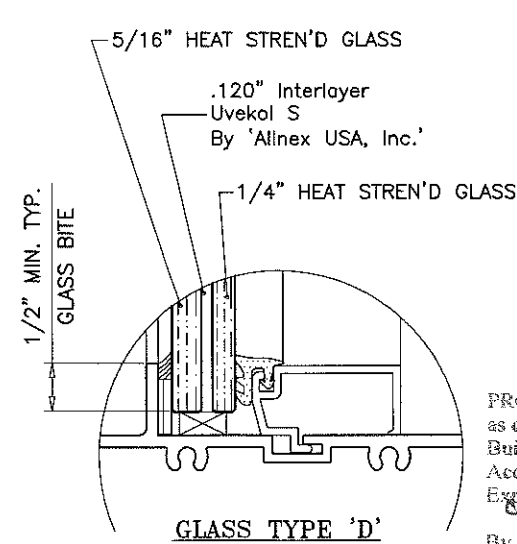
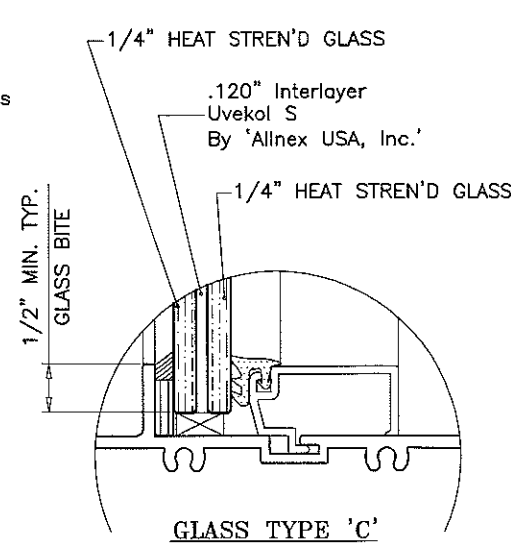
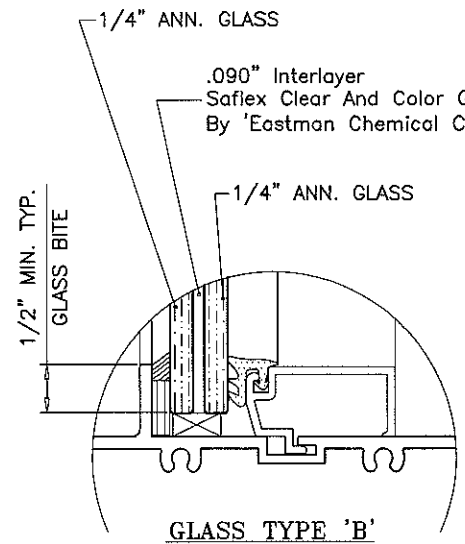
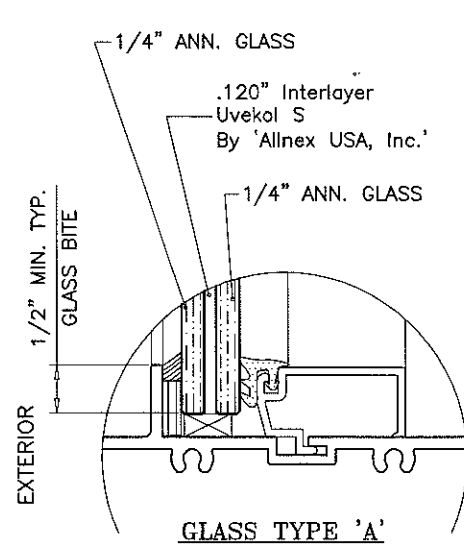
date: 08-11-03
 scale: 1/2" = 1'-0"
 dr. by: TARIQ
 chk. by:
 drawing no. W03-64
 sheet 1 of 10

GLASS LOAD CAPACITY - PSF						
NOMINAL DIMS.		GLASS TYPE 'A'	GLASS TYPE 'B'	GLASS TYPE 'C'	GLASS TYPE 'D'	GLASS TYPE 'E'
D.L.O. WIDTH	D.L.O. HEIGHT	EXT.(+)&INT.(-)	EXT.(+)&INT.(-)	EXT.(+)&INT.(-)	EXT.(+)&INT.(-)	EXT.(+)&INT.(-)
20"	74"	63.0	63.0	120.0	100.0	90.0
26"		63.0	63.0	120.0	100.0	90.0
32"		63.0	63.0	120.0	100.0	90.0
38"		63.0	63.0	120.0	100.0	90.0
44"		63.0	-	120.0	100.0	90.0
50"		63.0	-	120.0	100.0	90.0
56"		63.0	-	100.0	100.0	90.0
60"		63.0	-	100.0	100.0	-
66"		-	-	100.0	100.0	-
20"	80"	63.0	63.0	120.0	100.0	90.0
26"		63.0	63.0	120.0	100.0	90.0
32"		63.0	63.0	120.0	100.0	90.0
38"		63.0	-	120.0	100.0	90.0
44"		63.0	-	120.0	100.0	90.0
50"		63.0	-	120.0	100.0	90.0
56"		63.0	-	100.0	100.0	-
60"		-	-	100.0	100.0	-
66"		-	-	100.0	100.0	-
20"	86"	63.0	63.0	120.0	100.0	90.0
26"		63.0	63.0	120.0	100.0	90.0
32"		63.0	63.0	120.0	100.0	90.0
38"		63.0	-	120.0	100.0	90.0
44"		63.0	-	120.0	100.0	90.0
50"		63.0	-	100.0	100.0	-
56"		-	-	100.0	100.0	-
60"		-	-	100.0	100.0	-
66"		-	-	100.0	100.0	-
20"	92"	63.0	63.0	120.0	100.0	90.0
26"		63.0	63.0	120.0	100.0	90.0
32"		63.0	63.0	120.0	100.0	90.0
38"		63.0	-	120.0	100.0	90.0
44"		63.0	-	100.0	100.0	90.0
50"		63.0	-	100.0	100.0	-
56"		-	-	100.0	100.0	-
60"		-	-	100.0	100.0	-
66"		-	-	100.0	100.0	-

GLASS LOAD CAPACITY - PSF							
NOMINAL DIMS.		GLASS TYPE 'A'	GLASS TYPE 'B'	GLASS TYPE 'C'	GLASS TYPE 'D'	GLASS TYPE 'E'	
D.L.O. WIDTH	D.L.O. HEIGHT	EXT.(+)&INT.(-)	EXT.(+)&INT.(-)	EXT.(+)&INT.(-)	EXT.(+)&INT.(-)	EXT.(+)&INT.(-)	
20"	98"	63.0	63.0	120.0	100.0	90.0	
26"		63.0	63.0	120.0	100.0	90.0	
32"		63.0	-	120.0	100.0	90.0	
38"		63.0	-	120.0	100.0	90.0	
44"		63.0	-	100.0	100.0	-	
50"		-	-	100.0	100.0	-	
56"		-	-	100.0	100.0	-	
60"		-	-	100.0	100.0	-	
66"		-	-	100.0	100.0	-	
20"	104"	63.0	63.0	120.0	100.0	90.0	
26"		63.0	63.0	120.0	100.0	90.0	
32"		63.0	-	120.0	100.0	90.0	
38"		63.0	-	120.0	100.0	90.0	
44"		63.0	-	100.0	100.0	-	
50"		-	-	100.0	100.0	-	
56"		-	-	100.0	100.0	-	
60"		-	-	100.0	100.0	-	
66"		-	-	100.0	100.0	-	
20"	110"	63.0	63.0	120.0	100.0	90.0	
26"		63.0	63.0	120.0	100.0	90.0	
32"		63.0	-	120.0	100.0	90.0	
38"		63.0	-	100.0	100.0	-	
44"		-	-	100.0	100.0	-	
50"		-	-	100.0	100.0	-	
56"		-	-	100.0	100.0	-	
60"		-	-	100.0	100.0	-	
66"		-	-	100.0	100.0	-	
20"	116"	63.0	63.0	120.0	100.0	90.0	
26"		63.0	-	120.0	100.0	90.0	
32"		63.0	-	120.0	100.0	90.0	
38"		63.0	-	100.0	100.0	-	
44"		-	-	100.0	100.0	-	
50"		-	-	100.0	100.0	-	
56"		-	-	97.9	100.0	-	
34-1/2"		116-1/2"	-	-	120.0	-	-
63"		63"	-	-	120.0	-	-
60"	67"	-	-	120.0	-	-	
57"	69"	-	-	120.0	-	-	
54"	74"	-	-	120.0	-	-	

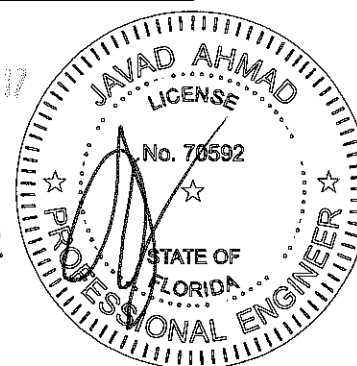


NOTE:
GLASS CAPACITIES ON THIS SHEET
ARE BASED ON
ASTM E1300-09 (3 SEC. GUSTS).



GLAZING OPTIONS

PRODUCT REVISED
as complying with the Florida
Building Code
Acceptance No. 17-0821.11
Expiration Date Nov. 21, 2022
By Manuel Perez
Miami Dade Product Control



AL-FAROOQ CORPORATION
ENGINEERS & PRODUCT DEVELOPMENT
9360 SUNSET DRIVE, SUITE 220
MIAMI, FLORIDA 33173
TEL. (305) 264-8100 FAX. (305) 262-8978
C.A.N. 3538

SERIES SMI-175 ALUM WINDOW WALL (L.M.I.)
Aldora Aluminum & Glass Products, Inc.
11500 MIRAMAR PARKWAY SUITE 300
MIRAMAR, FL 33025
TEL. (305) 888-6288 FAX. (305) 888-6289

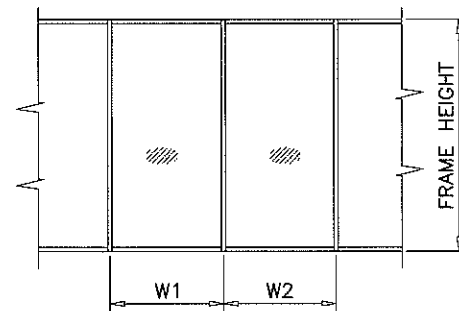
NO	DATE	DESCRIPTION
E	07.19.11	NO CHANGE THIS SHEET
F	08.12.13	MANUF. NAME REV.
G	12.09.13	MANUF. ADDRESS REV.
H	10.24.14	UPDATED TO 2014 FBC
I	08.02.17	UPDATED TO 2017 FBC

date: 08-11-03
scale: 1/2" = 1"
dr. by: TARIQ
chk. by:
drawing no. W03-64
sheet 2 of 10

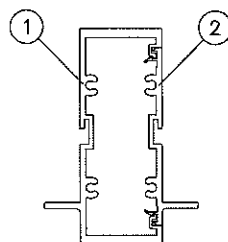
COMP-ANL W03-64SM

MULLION LOAD CAPACITY - PSF WITHOUT INTERMEDIATE HORIZONTALS					
NOMINAL DIMS.		WITHOUT REINFORCING		WITH REINFORCING	
WIDTH (W)	FRAME HEIGHT	EXT.(+)	INT.(-)	EXT.(+)	INT.(-)
24"	72"	100.0	100.0	100.0	120.0
30"		100.0	100.0	100.0	120.0
36"		100.0	100.0	100.0	120.0
42"		100.0	100.0	100.0	120.0
48"		100.0	100.0	100.0	120.0
54"		100.0	100.0	100.0	120.0
60"		100.0	100.0	100.0	120.0
66"		100.0	100.0	90.0	100.0
24"	78"	100.0	100.0	100.0	120.0
30"		100.0	100.0	100.0	120.0
36"		100.0	100.0	100.0	120.0
42"		100.0	100.0	100.0	120.0
48"		100.0	100.0	100.0	120.0
54"		100.0	100.0	100.0	120.0
60"		100.0	100.0	90.0	100.0
66"		100.0	100.0	90.0	100.0
24"	84"	100.0	100.0	100.0	120.0
30"		100.0	100.0	100.0	120.0
36"		100.0	100.0	100.0	120.0
42"		100.0	100.0	100.0	120.0
48"		100.0	100.0	100.0	120.0
54"		100.0	100.0	100.0	120.0
60"		96.0	96.0	90.0	100.0
66"		-	-	90.0	100.0
24"	90"	100.0	100.0	100.0	120.0
30"		100.0	100.0	100.0	120.0
36"		100.0	100.0	100.0	120.0
42"		100.0	100.0	100.0	120.0
48"		95.1	95.1	100.0	120.0
54"		87.0	87.0	90.0	100.0
60"		-	-	90.0	100.0
66"		-	-	90.0	100.0
24"	96"	100.0	100.0	100.0	120.0
30"		100.0	100.0	100.0	120.0
36"		100.0	100.0	100.0	120.0
42"		91.8	91.8	100.0	120.0
48"		82.0	82.0	90.0	100.0
54"		74.7	74.7	90.0	100.0
60"		-	-	90.0	100.0
66"		-	-	90.0	100.0
24"	102"	100.0	100.0	100.0	120.0
30"		100.0	100.0	100.0	120.0
36"		92.0	92.0	100.0	120.0
42"		80.2	80.2	100.0	120.0
48"		71.4	71.4	90.0	100.0
54"		-	-	90.0	100.0
60"		-	-	90.0	100.0
66"		-	-	90.0	100.0

MULLION LOAD CAPACITY - PSF WITHOUT INTERMEDIATE HORIZONTALS					
NOMINAL DIMS.		WITHOUT REINFORCING		WITH REINFORCING	
WIDTH (W)	FRAME HEIGHT	EXT.(+)	INT.(-)	EXT.(+)	INT.(-)
24"	108"	100.0	100.0	100.0	120.0
30"		91.2	91.2	100.0	120.0
36"		77.0	77.0	100.0	120.0
42"		67.1	67.1	100.0	120.0
48"		59.9	59.9	90.0	100.0
54"		-	-	90.0	100.0
60"		-	-	90.0	99.2
66"		-	-	90.0	92.5
24"	114"	95.7	95.7	100.0	120.0
30"		77.3	77.3	100.0	120.0
36"		65.2	65.2	100.0	120.0
42"		56.7	56.7	100.0	100.0
48"		-	-	90.0	100.0
54"		-	-	90.0	96.0
60"		-	-	88.0	88.0
66"		-	-	-	-
24"	120"	81.9	81.9	100.0	120.0
30"		66.1	66.1	100.0	120.0
36"		55.7	55.7	100.0	120.0
42"		48.4	48.4	90.0	100.0
48"		-	-	90.0	95.3
54"		-	-	85.9	85.9
60"		-	-	78.7	78.7
66"		-	-	-	-

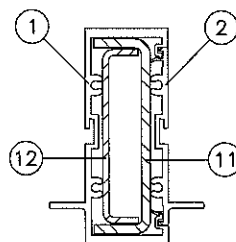


$$\text{WIDTH (W)} = \frac{W1 + W2}{2}$$



MULLION
W/O REINFORCING

Ix IN ⁴	Sx IN ³
5.3965	2.3107

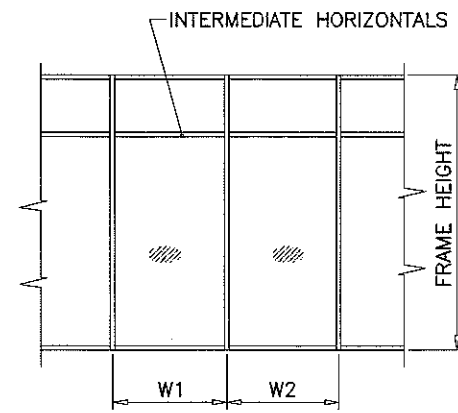


MULLION
W/ REINFORCING

Ix IN ⁴	Sx IN ³
ALUMINUM	5.3965 2.3107
STEEL	3.2364 1.5933
TOTAL	14.7821
Ix ALUM + Ix STL X 2.9	

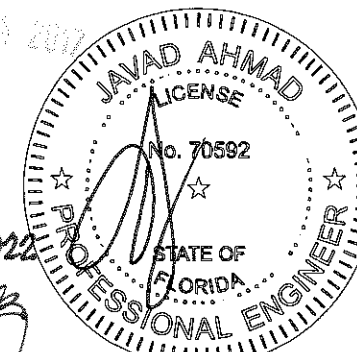
MULLION LOAD CAPACITY - PSF WITH INTERMEDIATE HORIZONTALS					
NOMINAL DIMS.		WITHOUT REINFORCING		WITH REINFORCING	
WIDTH (W)	FRAME HEIGHT	EXT.(+)	INT.(-)	EXT.(+)	INT.(-)
24"	72"	100.0	100.0	100.0	120.0
30"		100.0	100.0	100.0	120.0
36"		100.0	100.0	100.0	120.0
42"		100.0	100.0	100.0	120.0
48"		100.0	100.0	100.0	120.0
54"		100.0	100.0	100.0	120.0
60"		100.0	100.0	100.0	120.0
66"		100.0	100.0	100.0	100.0
24"	78"	100.0	100.0	100.0	120.0
30"		100.0	100.0	100.0	120.0
36"		100.0	100.0	100.0	120.0
42"		100.0	100.0	100.0	120.0
48"		100.0	100.0	100.0	120.0
54"		100.0	100.0	100.0	120.0
60"		93.2	93.2	90.0	100.0
66"		84.7	84.7	90.0	100.0
24"	84"	100.0	100.0	100.0	120.0
30"		100.0	100.0	100.0	120.0
36"		100.0	100.0	100.0	120.0
42"		100.0	100.0	100.0	120.0
48"		100.0	100.0	100.0	120.0
54"		99.7	99.7	100.0	120.0
60"		88.7	88.7	100.0	120.0
66"		79.8	79.8	90.0	100.0
24"	90"	100.0	100.0	100.0	120.0
30"		100.0	100.0	100.0	120.0
36"		100.0	100.0	100.0	120.0
42"		98.6	98.6	100.0	120.0
48"		86.3	86.3	100.0	120.0
54"		76.7	76.7	90.0	100.0
60"		-	-	90.0	100.0
66"		-	-	90.0	100.0
24"	96"	100.0	100.0	100.0	120.0
30"		100.0	100.0	100.0	120.0
36"		100.0	100.0	100.0	120.0
42"		86.1	86.1	100.0	120.0
48"		75.3	75.3	90.0	100.0
54"		67.0	67.0	90.0	100.0
60"		-	-	90.0	100.0
66"		-	-	90.0	100.0
24"	102"	100.0	100.0	100.0	120.0
30"		100.0	100.0	100.0	120.0
36"		87.7	87.7	100.0	120.0
42"		75.1	75.1	100.0	120.0
48"		65.7	65.7	90.0	100.0
54"		-	-	90.0	100.0
60"		-	-	90.0	100.0
66"		-	-	90.0	90.9

MULLION LOAD CAPACITY - PSF WITH INTERMEDIATE HORIZONTALS					
NOMINAL DIMS.		WITHOUT REINFORCING		WITH REINFORCING	
WIDTH (W)	FRAME HEIGHT	EXT.(+)	INT.(-)	EXT.(+)	INT.(-)
24"	108"	100.0	100.0	100.0	120.0
30"		88.6	88.6	100.0	120.0
36"		73.8	73.8	100.0	120.0
42"		63.3	63.3	100.0	120.0
48"		55.4	55.4	90.0	100.0
54"		-	-	90.0	99.1
60"		-	-	89.2	89.2
66"		-	-	81.1	81.1
24"	114"	94.2	94.2	100.0	120.0
30"		75.3	75.3	100.0	120.0
36"		62.8	62.8	100.0	120.0
42"		53.8	53.8	90.0	100.0
48"		-	-	90.0	100.0
54"		-	-	89.0	89.0
60"		-	-	80.1	80.1
66"		-	-	-	-
24"	120"	80.7	80.7	100.0	120.0
30"		64.6	64.6	100.0	120.0
36"		53.8	53.8	100.0	120.0
42"		46.1	46.1	90.0	100.0
48"		-	-	90.0	90.3
54"		-	-	80.3	80.3
60"		-	-	72.3	72.3
66"		-	-	-	-



$$\text{WIDTH (W)} = \frac{W1 + W2}{2}$$

PRODUCT REVISED
as complying with the Florida
Building Code
Acceptance No. 17-0821-11
Expiration Date Nov. 21, 2022



AL-FAROOQ CORPORATION
ENGINEERS & PRODUCT DEVELOPMENT
9360 SUNSET DRIVE, SUITE 220
MIAMI, FLORIDA 33173
TEL. (305) 264-8100 FAX. (305) 262-8978
C.A.N. 3638

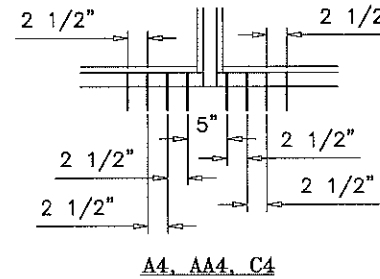
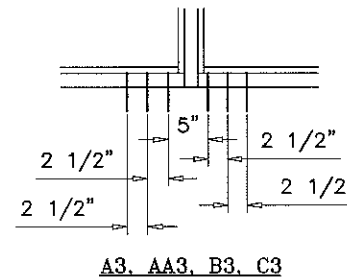
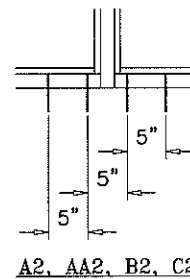
SERIES SMI-175 ALUM WINDOW WALL (L.M.I.)
Aldora Aluminum & Glass Products, Inc.
11500 MIRAMAR PARKWAY SUITE 300
MIRAMAR, FL. 33025
TEL. (305) 888-6288 FAX. (305) 888-6289

no	date	by	description
E	07.19.11		REV. PER BNC COMMENTS
F	08.12.13		MANUF. NAME REV.
G	12.09.13		MANUF. ADDRESS REV.
H	10.24.14		NO CHANGE THIS SHEET
I	06.02.17		UPDATED TO 2017 FBC

date: 08-11-03
scale: -
dr. by: TARIQ
chk. by:
drawing no.
W03-64
sheet 3 of 10

ANCHOR LOAD CAPACITY - PSF EXT.(+) & INT.(-)												
NOMINAL DIMS.		ANCHORS TYPE 'A'			ANCHORS TYPE 'AA'			ANCHORS TYPE 'B'		ANCHORS TYPE 'C'		
WIDTH (W)	FRAME HEIGHT	A2	A3	A4	AA2	AA3	AA4	B2	B3	C2	C3	C4
24"	72"	120.0	120.0	120.0	120.0	120.0	120.0	120.0	120.0	120.0	120.0	120.0
30"		120.0	120.0	120.0	120.0	120.0	120.0	120.0	120.0	120.0	120.0	120.0
36"		105.3	120.0	120.0	120.0	120.0	120.0	120.0	120.0	120.0	120.0	120.0
42"		90.3	120.0	120.0	120.0	120.0	120.0	120.0	120.0	118.1	120.0	120.0
48"		79.0	118.5	120.0	120.0	120.0	120.0	120.0	120.0	103.3	120.0	120.0
54"		70.2	105.3	120.0	106.7	120.0	120.0	120.0	120.0	91.9	120.0	120.0
60"		63.2	94.8	120.0	96.0	120.0	120.0	120.0	120.0	82.7	120.0	120.0
66"		57.5	86.2	114.9	87.3	109.1	120.0	116.1	120.0	75.2	112.7	120.0
72"	52.7	79.0	105.3	80.0	100.0	120.0	106.4	120.0	68.9	103.3	120.0	
24"	78"	120.0	120.0	120.0	120.0	120.0	120.0	120.0	120.0	120.0	120.0	120.0
30"		116.7	120.0	120.0	120.0	120.0	120.0	120.0	120.0	120.0	120.0	120.0
36"		97.2	120.0	120.0	120.0	120.0	120.0	120.0	120.0	120.0	120.0	120.0
42"		83.3	120.0	120.0	120.0	120.0	120.0	120.0	120.0	109.0	120.0	120.0
48"		72.9	109.4	120.0	110.8	120.0	120.0	120.0	120.0	95.4	120.0	120.0
54"		64.8	97.2	120.0	98.5	120.0	120.0	120.0	120.0	84.8	120.0	120.0
60"		58.3	87.5	116.7	88.6	110.8	120.0	117.9	120.0	76.3	114.5	120.0
66"		53.0	79.6	106.1	80.6	100.7	120.0	107.2	120.0	69.4	104.1	120.0
72"	48.6	72.9	97.2	73.8	92.3	120.0	98.3	120.0	63.6	95.4	120.0	
24"	84"	120.0	120.0	120.0	120.0	120.0	120.0	120.0	120.0	120.0	120.0	120.0
30"		108.3	120.0	120.0	120.0	120.0	120.0	120.0	120.0	120.0	120.0	120.0
36"		90.3	120.0	120.0	120.0	120.0	120.0	120.0	120.0	118.1	120.0	120.0
42"		77.4	116.1	120.0	117.6	120.0	120.0	120.0	120.0	101.2	120.0	120.0
48"		67.7	101.6	120.0	102.9	120.0	120.0	120.0	120.0	88.6	120.0	120.0
54"		60.2	90.3	120.0	91.4	114.3	120.0	120.0	120.0	78.7	118.1	120.0
60"		54.2	81.3	108.3	82.3	102.9	120.0	109.5	120.0	70.9	106.3	120.0
66"		49.2	73.9	98.5	74.8	93.5	120.0	99.5	120.0	64.4	96.6	120.0
72"	45.1	67.7	90.3	68.6	85.7	114.3	91.2	120.0	59.0	88.6	118.1	
24"	90"	120.0	120.0	120.0	120.0	120.0	120.0	120.0	120.0	120.0	120.0	120.0
30"		101.1	120.0	120.0	120.0	120.0	120.0	120.0	120.0	120.0	120.0	120.0
36"		84.3	120.0	120.0	120.0	120.0	120.0	120.0	120.0	110.2	120.0	120.0
42"		72.2	108.3	120.0	109.7	120.0	120.0	120.0	120.0	94.5	120.0	120.0
48"		63.2	94.8	120.0	96.0	120.0	120.0	120.0	120.0	82.7	120.0	120.0
54"		56.2	84.3	112.4	85.3	106.7	120.0	113.5	120.0	73.5	110.2	120.0
60"		50.6	75.8	101.1	76.8	96.0	120.0	102.2	120.0	66.1	99.2	120.0
66"		46.0	68.9	91.9	69.8	87.3	116.4	92.9	120.0	60.1	90.2	120.0
72"	42.1	63.2	84.3	64.0	80.0	106.7	85.2	120.0	55.1	82.7	110.2	
24"	96"	118.5	120.0	120.0	120.0	120.0	120.0	120.0	120.0	120.0	120.0	120.0
30"		94.8	120.0	120.0	120.0	120.0	120.0	120.0	120.0	120.0	120.0	120.0
36"		79.0	118.5	120.0	120.0	120.0	120.0	120.0	120.0	103.3	120.0	120.0
42"		67.7	101.6	120.0	102.9	120.0	120.0	120.0	120.0	88.6	120.0	120.0
48"		59.3	88.9	118.5	90.0	112.5	120.0	119.8	120.0	77.5	116.3	120.0
54"		52.7	79.0	105.3	80.0	100.0	120.0	106.4	120.0	68.9	103.3	120.0
60"		47.4	71.1	94.8	72.0	90.0	120.0	95.8	120.0	62.0	93.0	120.0
66"		43.1	64.6	86.2	65.5	81.8	109.1	87.1	120.0	56.4	84.5	112.7
72"	39.5	59.3	79.0	60.0	75.0	100.0	79.8	119.8	51.7	77.5	103.3	
24"	102"	111.5	120.0	120.0	120.0	120.0	120.0	120.0	120.0	120.0	120.0	120.0
30"		89.2	120.0	120.0	120.0	120.0	120.0	120.0	120.0	116.7	120.0	120.0
36"		74.4	111.5	120.0	112.9	120.0	120.0	120.0	120.0	97.3	120.0	120.0
42"		63.7	95.6	120.0	96.8	120.0	120.0	120.0	120.0	83.4	120.0	120.0
48"		55.8	83.6	111.5	84.7	105.9	120.0	112.7	120.0	72.9	109.4	120.0
54"		49.6	74.4	99.1	75.3	94.1	120.0	100.2	120.0	64.8	97.3	120.0
60"		44.6	66.9	89.2	67.8	84.7	112.9	90.2	120.0	58.4	87.5	116.7
66"		40.6	60.8	81.1	61.6	77.0	102.7	82.0	120.0	53.0	79.6	106.1

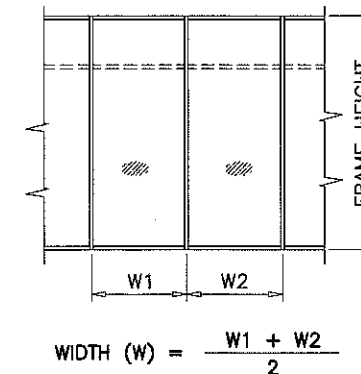
ANCHOR LOAD CAPACITY - PSF EXT.(+) & INT.(-)												
NOMINAL DIMS.		ANCHORS TYPE 'A'			ANCHORS TYPE 'AA'			ANCHORS TYPE 'B'		ANCHORS TYPE 'C'		
WIDTH (W)	FRAME HEIGHT	A2	A3	A4	AA2	AA3	AA4	B2	B3	C2	C3	C4
24"	108"	105.3	120.0	120.0	120.0	120.0	120.0	120.0	120.0	120.0	120.0	120.0
30"		84.3	120.0	120.0	120.0	120.0	120.0	120.0	120.0	110.2	120.0	120.0
36"		70.2	105.3	120.0	106.7	120.0	120.0	120.0	120.0	91.9	120.0	120.0
42"		60.2	90.3	120.0	91.4	114.3	120.0	120.0	120.0	78.7	118.1	120.0
48"		52.7	79.0	105.3	80.0	100.0	120.0	106.4	120.0	68.9	103.3	120.0
54"		46.8	70.2	93.6	71.1	88.9	118.5	94.6	120.0	61.2	91.9	120.0
60"		42.1	63.2	84.3	64.0	80.0	106.7	85.2	120.0	55.1	82.7	110.2
66"		38.3	57.5	76.6	58.2	72.7	97.0	77.4	116.1	50.1	75.2	100.2
24"	114"	99.8	120.0	120.0	120.0	120.0	120.0	120.0	120.0	120.0	120.0	120.0
30"		79.8	119.7	120.0	120.0	120.0	120.0	120.0	120.0	104.4	120.0	120.0
36"		66.5	99.8	120.0	101.1	120.0	120.0	120.0	120.0	87.0	120.0	120.0
42"		57.0	85.5	114.0	86.6	108.3	120.0	115.2	120.0	74.6	111.9	120.0
48"		49.9	74.8	99.8	75.8	94.7	120.0	100.8	120.0	65.3	97.9	120.0
54"		44.4	66.5	88.7	67.4	84.2	112.3	89.6	120.0	58.0	87.0	116.0
60"		39.9	59.9	79.8	60.6	75.8	101.1	80.7	120.0	52.2	78.3	104.4
24"		120"	94.8	120.0	120.0	120.0	120.0	120.0	120.0	120.0	120.0	120.0
30"	75.8		113.8	120.0	115.2	120.0	120.0	120.0	120.0	99.2	120.0	120.0
36"	63.2		94.8	120.0	96.0	120.0	120.0	120.0	120.0	82.7	120.0	120.0
42"	54.2		81.3	108.3	82.3	102.9	120.0	109.5	120.0	70.9	106.3	120.0
48"	47.4		71.1	94.8	72.0	90.0	120.0	95.8	120.0	62.0	93.0	120.0
54"	42.1		63.2	84.3	64.0	80.0	106.7	85.2	120.0	55.1	82.7	110.2
60"	37.9		56.9	75.8	57.6	72.0	96.0	76.6	115.0	49.6	74.4	99.2



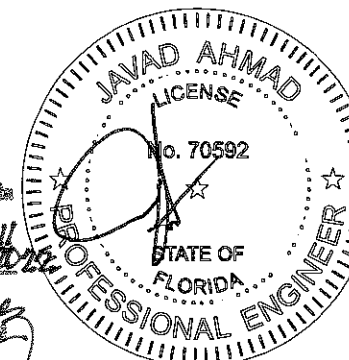
ANCHORS TYPES: SEE SHEET 7 FOR DESCRIPTION

- A2 = (2) ANCHORS TYPE 'A' AT EACH SIDE OF MULLION
- AA2 = (2) ANCHORS TYPE 'AA' AT EACH SIDE OF MULLION
- B2 = (2) ANCHORS TYPE 'B' AT EACH SIDE OF MULLION
- C2 = (2) ANCHORS TYPE 'C' AT EACH SIDE OF MULLION
- A3 = (3) ANCHORS TYPE 'A' AT EACH SIDE OF MULLION
- AA3 = (3) ANCHORS TYPE 'AA' AT EACH SIDE OF MULLION
- B3 = (3) ANCHORS TYPE 'B' AT EACH SIDE OF MULLION
- C3 = (3) ANCHORS TYPE 'C' AT EACH SIDE OF MULLION
- A4 = (4) ANCHORS TYPE 'A' AT EACH SIDE OF MULLION
- AA4 = (4) ANCHORS TYPE 'AA' AT EACH SIDE OF MULLION
- C4 = (4) ANCHORS TYPE 'C' AT EACH SIDE OF MULLION

ALL OTHER ANCHORS TO BE SPACED AS PER ELEVATION.



PRODUCT REVISED
as complying with the Florida
Building Code
Acceptance No. 17,082,11
Expiration Date Nov. 21, 2012



af c
AL-FAROOQ CORPORATION
ENGINEERS & PRODUCT DEVELOPMENT
9360 SUNSET DRIVE, SUITE 220
MIAMI, FLORIDA 33173
TEL. (305) 262-6978
FAX. (305) 262-6978
C.A.N. 3638

SERIES SMI-175 ALUM WINDOW WALL (L.M.I.)
Aldora Aluminum & Glass Products, Inc.
11500 MIRAMAR PARKWAY SUITE 300
MIRAMAR, FL. 33025
TEL. (305) 888-6288
FAX. (305) 888-6289

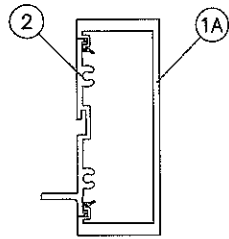
no	date	description
E	07.19.11	NO CHANGE THIS SHEET
F	08.12.13	MANUF. NAME REV.
G	12.09.13	MANUF. ADDRESS REV.
H	10.24.14	NO CHANGE THIS SHEET
I	06.02.17	UPDATED TO 2017 FBC

date:	08-11-03
scale:	-
dr. by:	TARIQ
chk. by:	-

drawing no.
W03-64
sheet 4 of 10

COMP-ANL\W03-64SM

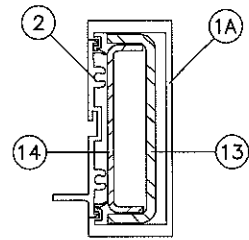
DOOR MULLION LOAD CAPACITY		
NOMINAL DIMS.		W/O REINF.
WIDTH (W)	FRAME HEIGHT	EXT.(+) & INT.(-)
30"	81-3/4"	90.0
36"		90.0
42"		90.0
48"		90.0
30"	85-3/4"	90.0
36"		90.0
42"		90.0
48"		90.0
30"	91-3/4"	90.0
36"		90.0
42"		90.0
30"	96-3/4"	90.0
36"		90.0
42"		90.0
30"	97-3/4"	90.0
36"		90.0
42"		90.0



DOOR MULLION
WITHOUT REINFORCING

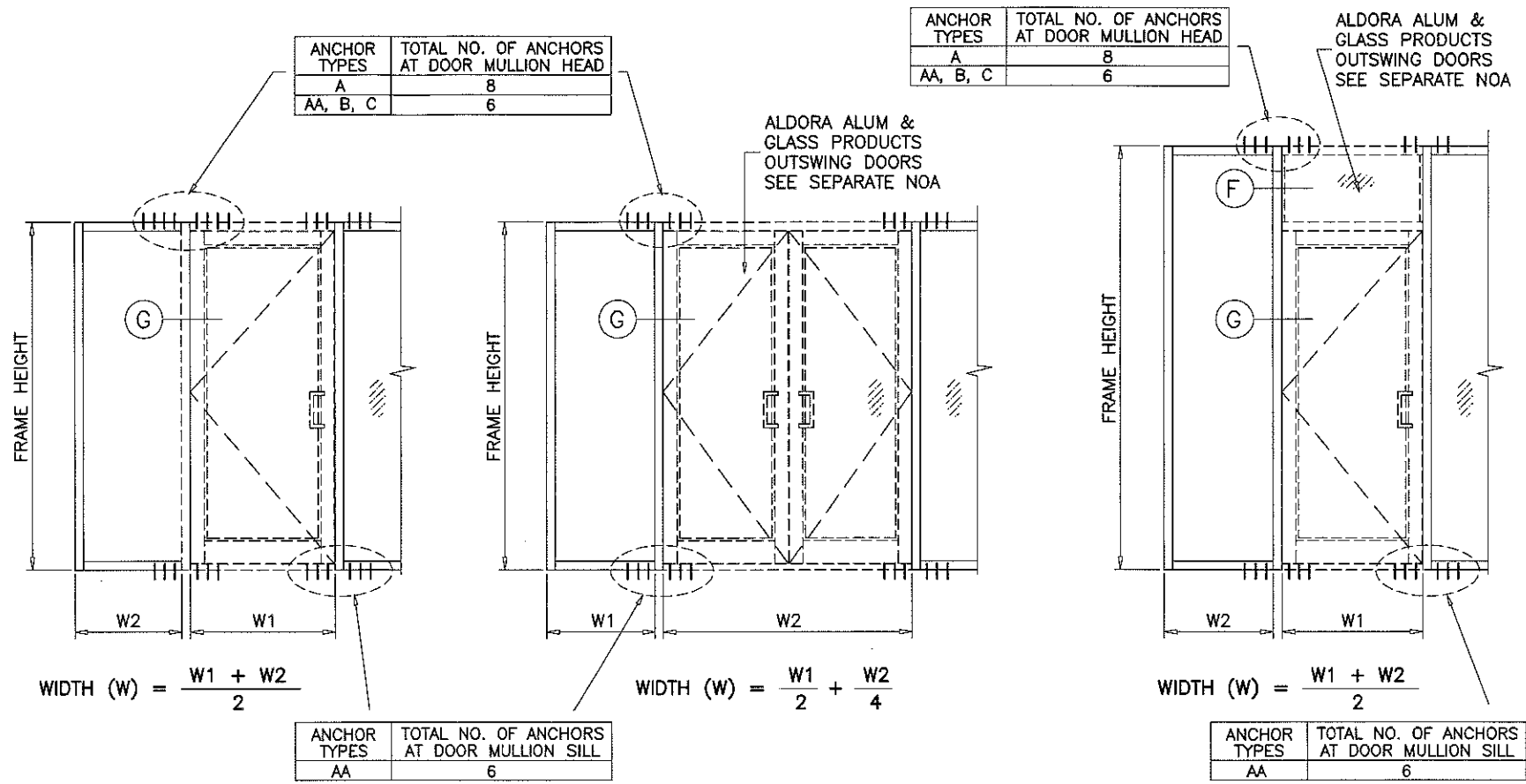
I _x IN ⁴	S _x IN ³
5.8433	2.5967

DOOR MULLION LOAD CAPACITY		
NOMINAL DIMS.		WITH REINF.
WIDTH (W)	FRAME HEIGHT	EXT.(+) & INT.(-)
24"	80"	100.0
30"		100.0
36"		100.0
42"		100.0
48"		100.0
54"		100.0
24"	84"	100.0
30"		100.0
36"		100.0
42"		100.0
48"		100.0
54"		100.0
24"	90"	100.0
30"		100.0
36"		100.0
42"		100.0
48"		100.0
54"		100.0
24"	96"	100.0
30"		100.0
36"		100.0
42"		100.0
48"		100.0
54"		100.0
24"	102"	100.0
30"		100.0
36"		100.0
42"		100.0
48"		100.0
54"		100.0
24"	108"	100.0
30"		100.0
36"		100.0
42"		100.0
48"		100.0
54"		100.0
24"	114"	100.0
30"		100.0
36"		100.0
42"		100.0
48"		100.0
54"		100.0
24"	120"	100.0
30"		100.0
36"		100.0
42"		99.3



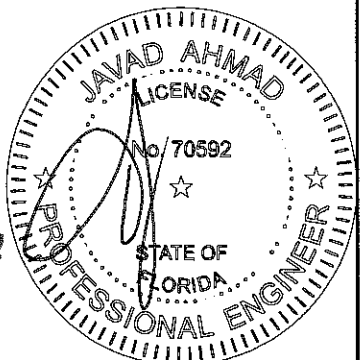
DOOR MULLION
WITH REINFORCING

	I _x IN ⁴	S _x IN ³
ALUMINUM	5.8433	2.5967
STEEL	2.7384	1.3908
TOTAL I _x ALUM + I _x STL X 2.9	13.7847	



PRODUCT REVISED
as complying with the Florida
Building Code
Acceptance No 17-0821-11
Expiration Date Nov. 2, 2022

By *Manuel Perez*
Miami Dade Product Control



afC
AL-FAROOQ CORPORATION
ENGINEERS & PRODUCT DEVELOPMENT
9360 SUNSET DRIVE, SUITE 220 (C.A.N. 3538)
MIAMI, FLORIDA 33173
TEL. (305) 264-8100 FAX. (305) 262-6978
COMP-ANL W03-64SM

SERIES SMI-175 ALUM WINDOW WALL (L.M.I.)
Aldora Aluminum & Glass Products, Inc.
11500 MIRAMAR PARKWAY SUITE 300
MIRAMAR, FL. 33025
TEL. (305) 888-6288 FAX. (305) 888-6289

date: 08-11-03	scale: -	dr. by: TARIQ	chk. by:
drawing no. W03-64			
sheet 5 of 10			

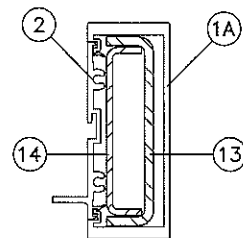
no	date	description	by
E	07.19.11	REV. PER BNC COMMENTS	
F	08.12.13	MANUF. NAME REV.	
G	12.09.13	MANUF. ADDRESS REV.	
H	10.24.14	NO CHANGE THIS SHEET	
I	08.02.17	UPDATED TO 2017 FBC	

DOOR MULLION LOAD CAPACITY - PSF				
NOMINAL DIMS.				WITH REINF.
FRAME HEIGHT INCHES	DOOR HEIGHT INCHES	WIDTH (W1) INCHES	WIDTH (W2) INCHES	EXT. (+) INT. (-)
108	80	60	30	100.0
			33	100.0
			39	100.0
			42	100.0
		72	30	100.0
			33	100.0
			39	100.0
			42	97.5
		84	30	98.8
			33	96.0
			39	90.9
			42	88.6
96	30	89.7		
	33	87.4		
	39	83.2		
	42	81.2		
114	80	60	30	100.0
			33	100.0
			39	98.2
			42	95.2
		72	30	96.2
			33	93.3
			39	87.9
			42	85.5
		84	30	86.3
			33	83.9
			39	79.6
			42	77.6
96	30	78.2		
	33	76.3		
	39	72.7		
120	80	60	30	96.3
			33	93.0
			39	87.2
			42	84.6
		72	30	85.1
			33	82.6
			39	78.0
			42	75.8
		84	30	76.3
			33	74.3
			39	70.5
			42	68.8
96	30	69.1		
	33	67.5		

DOOR MULLION LOAD CAPACITY - PSF				
NOMINAL DIMS.				WITH REINF.
FRAME HEIGHT INCHES	DOOR HEIGHT INCHES	WIDTH (W1) INCHES	WIDTH (W2) INCHES	EXT. (+) INT. (-)
108	84	60	30	100.0
			33	100.0
			39	100.0
			42	100.0
		72	30	100.0
			33	100.0
			39	100.0
			42	100.0
		84	30	100.0
			33	99.0
			39	93.6
			42	91.1
96	30	92.6		
	33	90.2		
	39	85.7		
	42	83.6		
114	84	60	30	100.0
			33	100.0
			39	100.0
			42	97.0
		72	30	98.4
			33	95.4
			39	89.8
			42	87.3
		84	30	88.4
			33	85.9
			39	81.4
			42	79.3
96	30	80.2		
	33	78.2		
	39	74.4		
120	84	60	30	97.9
			33	94.6
			39	88.6
			42	85.8
		72	30	86.7
			33	84.1
			39	79.3
			42	77.1
		84	30	77.8
			33	75.7
			39	71.8
			42	69.9
96	30	70.5		
	33	68.8		

DOOR MULLION LOAD CAPACITY - PSF				
NOMINAL DIMS.				WITH REINF.
FRAME HEIGHT INCHES	DOOR HEIGHT INCHES	WIDTH (W1) INCHES	WIDTH (W2) INCHES	EXT. (+) INT. (-)
114	96	60	30	100.0
			33	100.0
			39	100.0
			42	100.0
		72	30	100.0
			33	100.0
			39	98.2
			42	95.2
		84	30	98.0
			33	95.0
			39	89.5
			42	86.9
96	30	89.3		
	33	86.8		
	39	82.2		
120	96	60	30	100.0
			33	100.0
			39	94.6
			42	91.5
		72	30	93.7
			33	90.6
			39	85.1
			42	82.6
		84	30	84.4
			33	81.9
			39	77.3
			42	75.2
96	30	76.7		
	33	74.7		

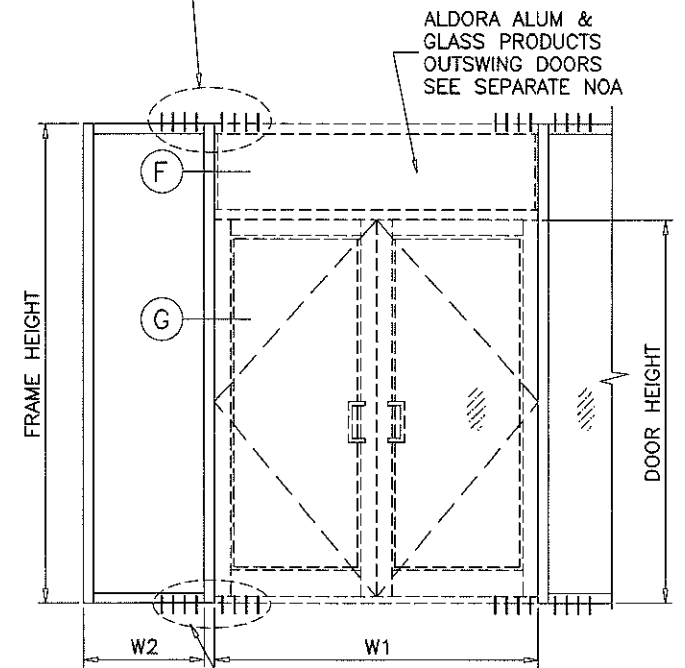
DOOR MULLION LOAD CAPACITY - PSF				
NOMINAL DIMS.				WITH REINF.
FRAME HEIGHT INCHES	DOOR HEIGHT INCHES	WIDTH (W1) INCHES	WIDTH (W2) INCHES	EXT. (+) INT. (-)
120	108	60	30	100.0
			33	100.0
			39	100.0
			42	100.0
		72	30	100.0
			33	100.0
			39	94.9
			42	91.7
		84	30	95.8
			33	92.6
			39	86.8
			42	84.2
96	30	87.6		
	33	84.9		



DOOR MULLION WITH REINFORCING

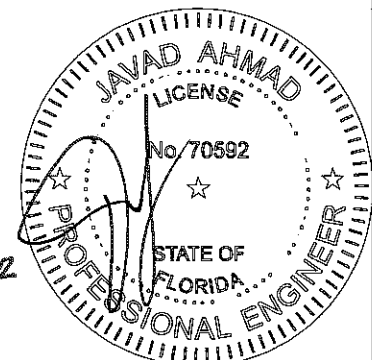
	Ix IN ⁴	Sx IN ³
ALUMINUM	5.8433	2.5967
STEEL	2.7384	1.3908
TOTAL Ix ALUM + Ix STL X 2.9	13.7847	

ANCHOR TYPES	TOTAL NO. OF ANCHORS AT DOOR MULLION HEAD
A	-
AA	8
B	6
C	8



ANCHOR TYPES	TOTAL NO. OF ANCHORS AT DOOR MULLION SILL
AA	8

PRODUCT REVISED as complying with the Florida Building Code
 Acceptance No 17-0821-11
 Expiration Date Nov. 21, 2022
 By *Manuel Perez*
 Miami/Dade Product Control

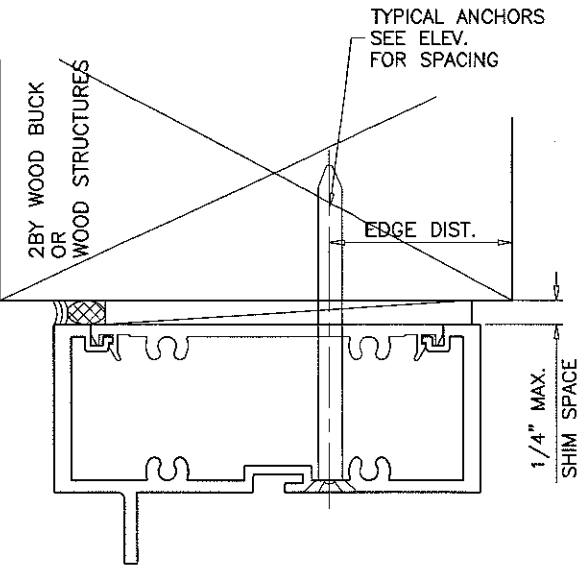
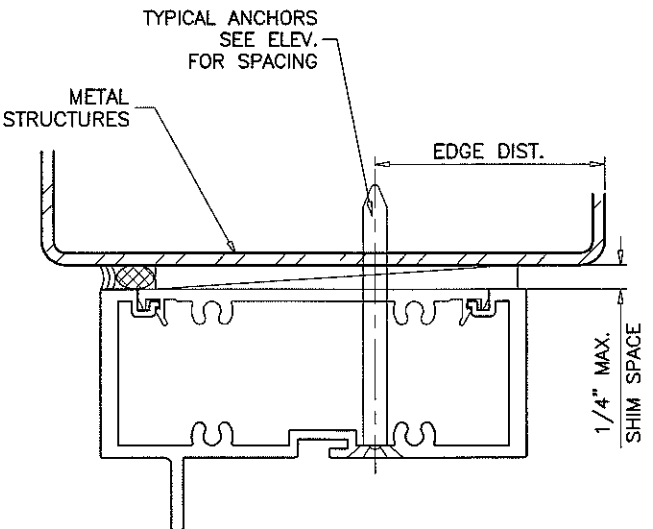
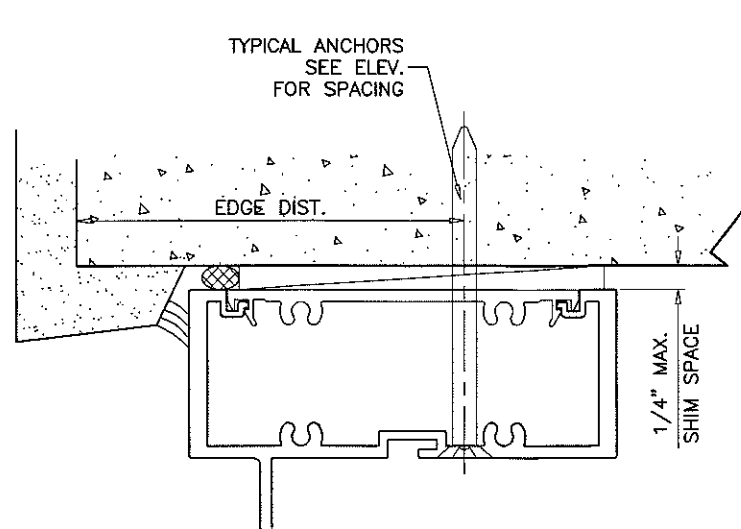
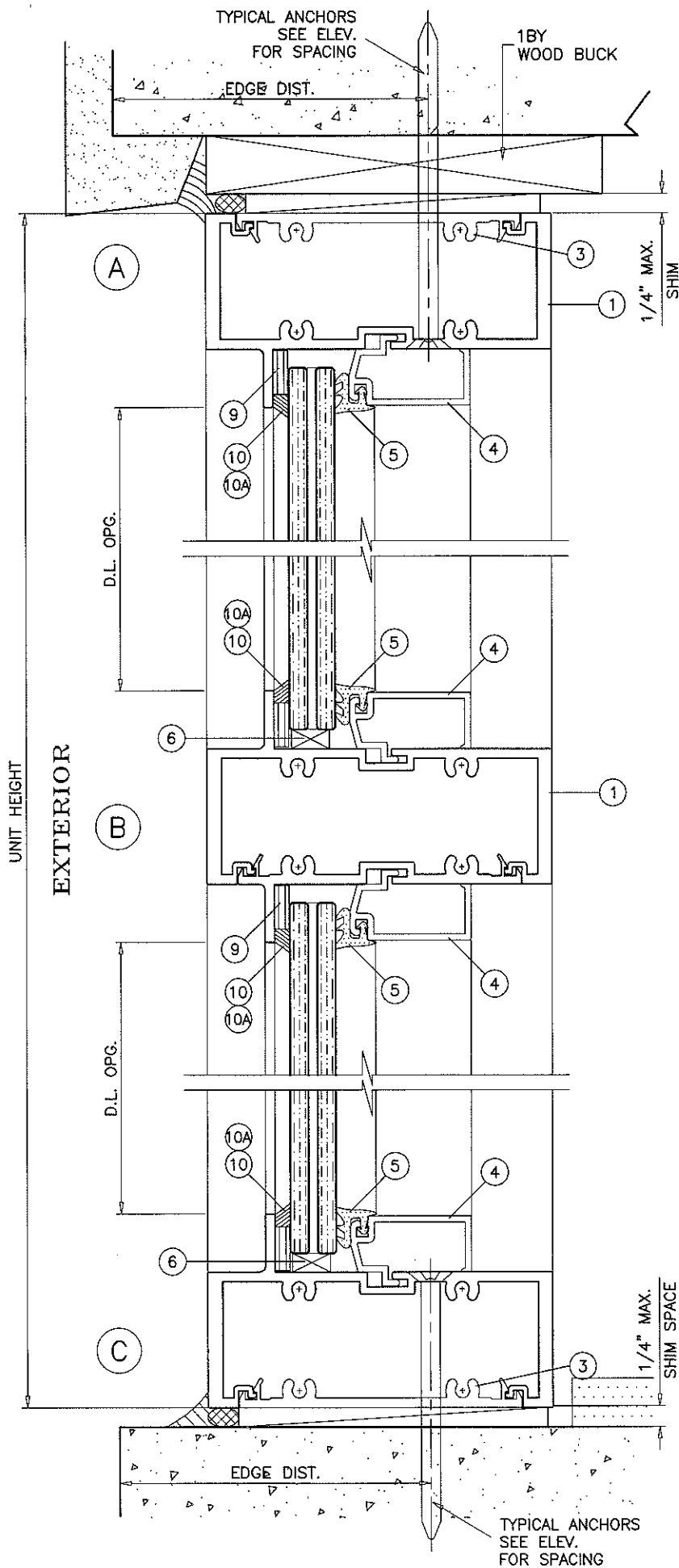


AL-FAROOQ CORPORATION
 ENGINEERS & PRODUCT DEVELOPMENT
 9360 SUNSET DRIVE, SUITE 220
 MIAMI, FLORIDA 33173 (C.A.N. 3638)
 TEL. (305) 264-8100 FAX. (305) 262-8978
 COMP-ANL W03-64SM

SERIES SMI-175 ALUM WINDOW WALL (L.M.I.)
 Aldora Aluminum & Glass Products, Inc.
 11500 MIRAMAR PARKWAY SUITE 300
 MIRAMAR, FL. 33025
 TEL. (305) 888-6288 FAX. (305) 888-6289

no	date	description
E	07.19.11	REV. PER BNC COMMENTS
F	08.12.13	MANUF. NAME REV.
G	12.09.13	MANUF. ADDRESS REV.
H	10.24.14	NO CHANGE THIS SHEET
I	08.02.17	UPDATED TO 2017 FBC

date: 08-11-03
 scale: -
 dr. by: TARIQ
 chk. by:
 drawing no. W03-64
 sheet 6 of 10



WOOD BUCKS AND METAL STRUCTURE NOT BY 'ALDORA ALUMINUM & GLASS PRODUCTS' MUST SUSTAIN LOADS IMPOSED BY GLAZING SYSTEM AND TRANSFER THEM TO THE BUILDING STRUCTURE.

TYPICAL ANCHORS: SEE ELEV. FOR SPACING

TYPE 'A' - 1/4" DIA. ULTRACON BY 'ELCO' (Fu=177 KSI, Fy=155 KSI)
 INTO 2BY WOOD BUCKS OR WOOD STRUCTURES
 1-1/2" MIN. PENETRATION INTO WOOD (HEAD/SILL/JAMBS)
 THRU 1BY BUCKS INTO CONC. OR BLOCKS
 1-1/4" MIN. EMBED INTO CONCRETE (HEAD/SILL/JAMBS)
 1-1/4" MIN. EMBED INTO BLOCKS (JAMBS)

TYPE 'AA' - 1/4" DIA. ULTRACON BY 'ELCO' (Fu=177 KSI, Fy=155 KSI)
 DIRECTLY INTO CONCRETE OR BLOCKS
 1-1/2" MIN. EMBED INTO CONCRETE (HEAD/SILL/JAMBS)
 1-3/4" MIN. EMBED INTO FILLED BLOCKS (JAMBS)

TYPE 'B' - #14 SMS OR SELF DRILLING SCREWS (GRADE 2 CRS)
 INTO MIAMI-DADE COUNTY APPROVED MULLIONS OR
 INTO METAL STRUCTURES (HEAD/SILL/JAMBS)
 (3) THREADS MIN. PENETRATION BEYOND SUBSTRATE
 ALUMINUM: 1/8" THK. MIN. (6063-T5 MIN.)
 STEEL: 1/8" THK. MIN. (Fy = 36 KSI MIN.)
 (STEEL IN CONTACT WITH ALUMINUM TO BE PLATED OR PAINTED)

TYPE 'C' - 5/16" DIA. ULTRACON BY 'ELCO' (Fu=177 KSI, Fy=155 KSI)
 INTO WOOD STRUCTURES
 1-7/8" MIN. PENETRATION INTO WOOD (HEAD/SILL/JAMBS)
 THRU 1BY OR 2BY BUCKS INTO CONC. OR BLOCKS
 1-1/4" MIN. EMBED INTO CONCRETE (HEAD/SILL/JAMBS)
 1-1/4" MIN. EMBED INTO BLOCKS (JAMBS)

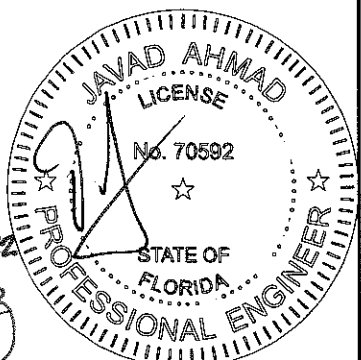
TYPICAL EDGE DISTANCE

INTO CONCRETE AND MASONRY = 2-1/2" MIN.
 INTO WOOD STRUCTURE = 1" MIN. (FOR 1/4" ANCHORS)
 INTO WOOD STRUCTURE = 1-1/4" MIN. (FOR 5/16" ANCHORS)
 INTO METAL STRUCTURE = 3/4" MIN.

WOOD AT HEAD, SILL OR JAMBS SG = 0.55 MIN.
 CONCRETE AT HEAD, SILL OR JAMBS f'c = 3000 PSI MIN.
 C-90 GROUT FILLED BLOCK AT JAMBS f'm = 2000 PSI MIN.

AUG 14 2017

PRODUCT REVISED
 as complying with the Florida
 Building Code
 Acceptance No. 17-0821.11
 Expiration Date Nov. 21, 2022
 By: *Manuel Cruz*
 Miami Dade Product Control



af c
AL-FAROOQ CORPORATION
 ENGINEERS & PRODUCT DEVELOPMENT
 9360 SUNSET DRIVE, SUITE 220
 MIAMI, FLORIDA 33173
 TEL. (305) 264-8100 FAX. (305) 262-6978
 COMP-ANL W03-64SM

SERIES SMI-175 ALUM WINDOW WALL (L.M.I.)
 Aldora Aluminum & Glass Products, Inc.
 11500 MIRAMAR PARKWAY SUITE 300
 MIRAMAR, FL. 33025
 TEL. (305) 888-6288 FAX. (305) 888-6289

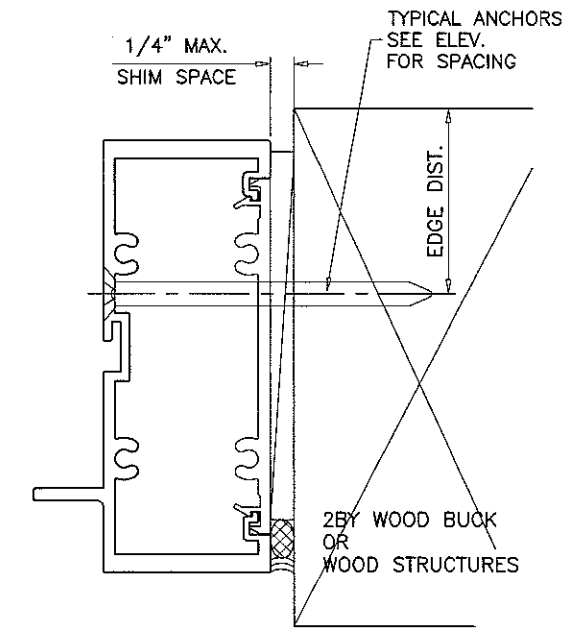
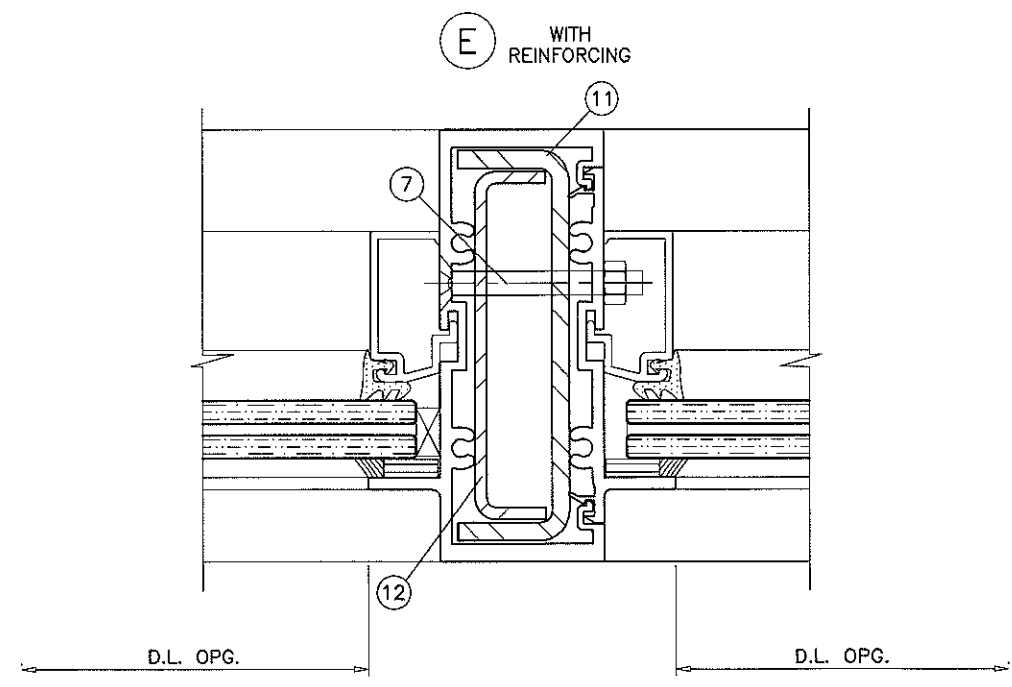
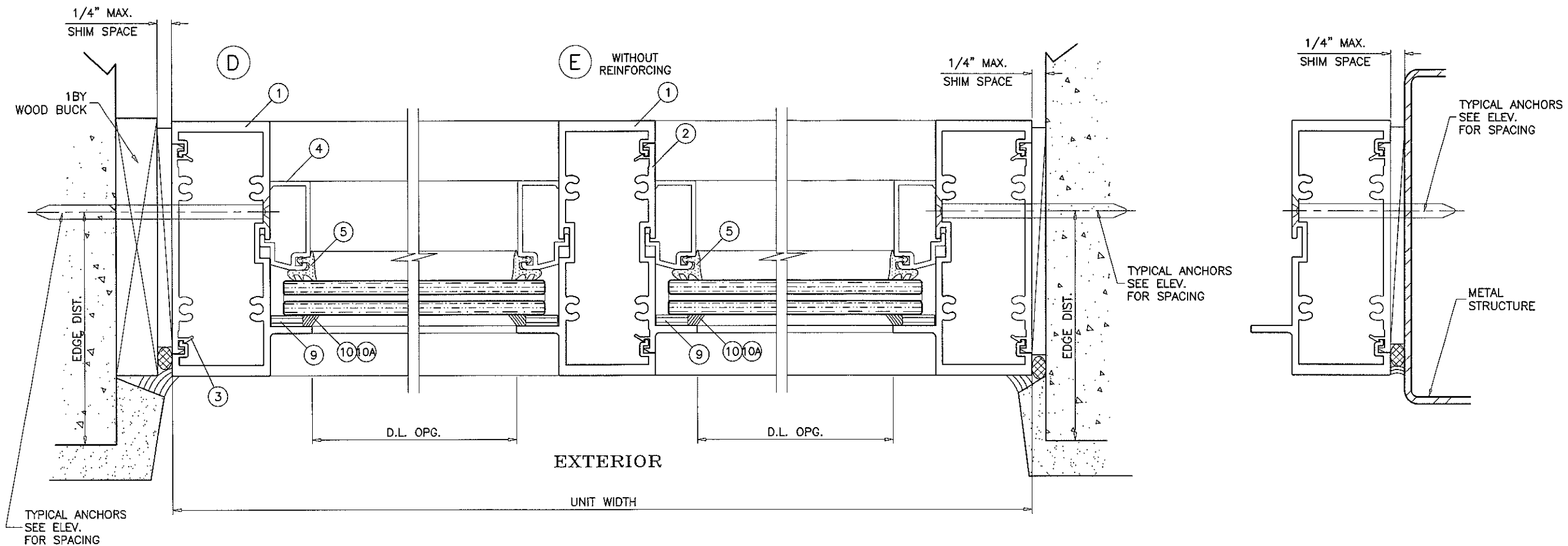
REVISIONS:

no	date	description
E	07.19.11	NO CHANGE THIS SHEET
F	08.12.13	MANUF. NAME REV.
G	12.09.13	MANUF. ADDRESS REV.
H	10.24.14	UPDATED TO 2014 FBC
I	06.02.17	UPDATED TO 2017 FBC

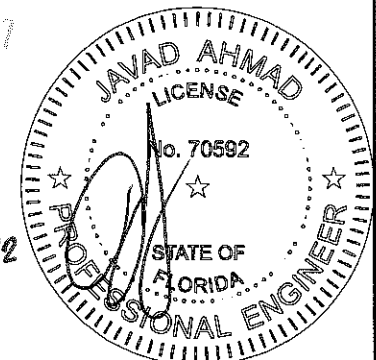
date: 08-11-03
 scale: 1/2" = 1"
 dr. by: TARIQ
 chk. by:

drawing no.
W03-64

sheet 7 of 10



PRODUCT REVISED
 as complying with the Florida
 Building Code
 Acceptance No. 17-0821.11
 Expiration Date Nov. 21, 2022
 By: *Manuel Perez*
 Miami Dade Product Council



af c
AL-FAROOQ CORPORATION
 ENGINEERS & PRODUCT DEVELOPMENT
 9360 SUNSET DRIVE, SUITE 220 (C.A.N. 3538)
 MIAMI, FLORIDA 33173
 TEL. (305) 264-8100 FAX. (305) 262-6978
 COMP-ANL\W03-64SM

SERIES SMI-175 ALUM WINDOW WALL (L.M.I.)
 Aldora Aluminum & Glass Products, Inc.
 11500 MIRAMAR PARKWAY SUITE 300
 MIRAMAR, FL. 33025
 TEL. (305) 888-6288 FAX. (305) 888-6289

revisions:

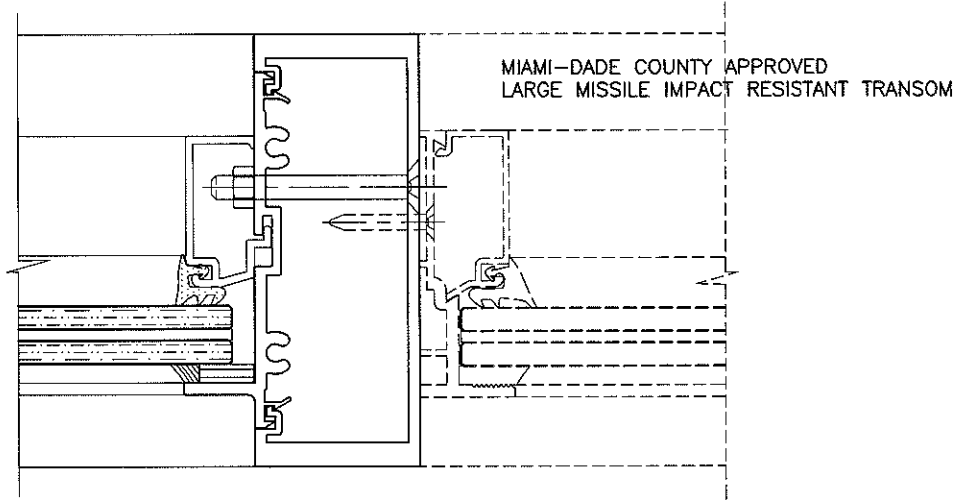
no	date	by	description
E	07.19.11		NO CHANGE THIS SHEET
F	06.12.13		MANUF. NAME REV.
G	12.09.13		MANUF. ADDRESS REV.
H	10.24.14		NO CHANGE THIS SHEET
I	06.02.17		UPDATED TO 2017 FBC

date: 08-11-03
 scale: 1/2" = 1"
 dr. by: TARIQ
 chk. by:
 drawing no. W03-64
 sheet 8 of 10

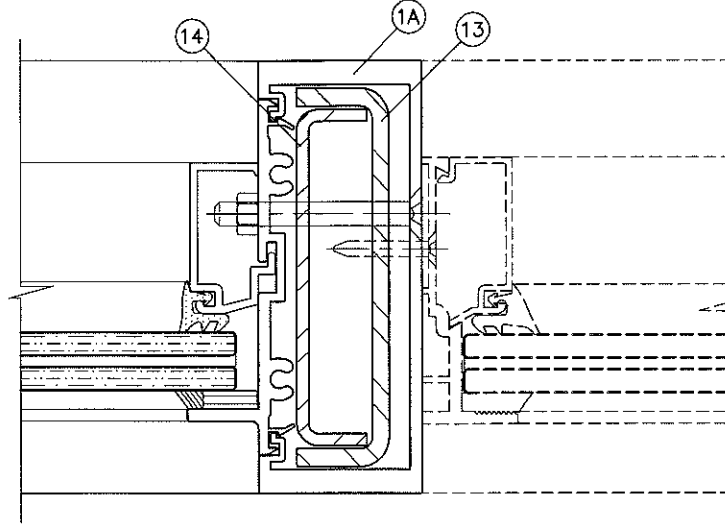
SEE SEPARATE NOA FOR DESIGN LOAD CAPACITY OF DOORS AND DOOR ANCHORS.

LOWER VALUES FROM DOORS NOA OR STOREFRONT SYSTEM CAPACITY CHARTS WILL APPLY TO ENTIRE SYSTEM.

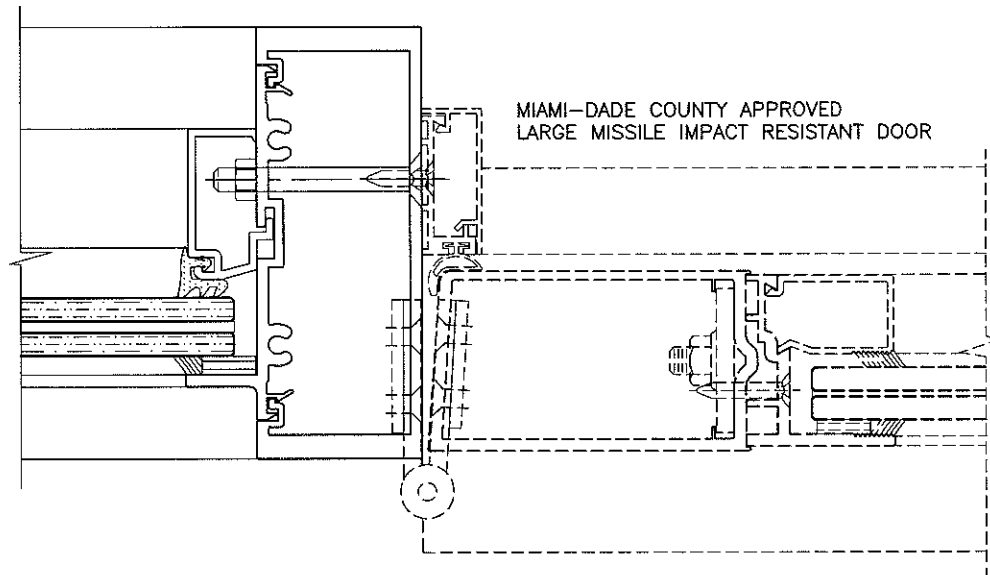
F WITHOUT REINFORCING



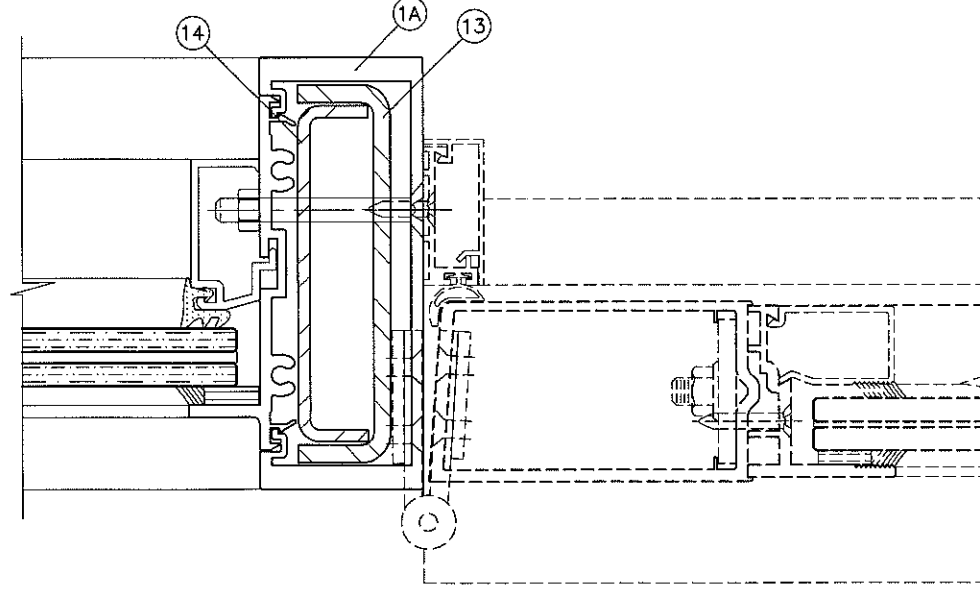
F WITH REINFORCING



G WITHOUT REINFORCING



G WITH REINFORCING



AL-FAROOQ CORPORATION
ENGINEERS & PRODUCT DEVELOPMENT
9360 SUNSET DRIVE, SUITE 220
MIAMI, FLORIDA 33173 (C.A.N. 3538)
TEL. (305) 264-8100 FAX. (305) 262-6978

COMP-ANL\W03-64SM

SERIES SMI-175 ALUM WINDOW WALL (L.M.I.)
Aldora Aluminum & Glass Products, Inc.
11500 MIRAMAR PARKWAY SUITE 300
MIRAMAR, FL. 33025
TEL. (305) 888-6288 FAX. (305) 888-6289

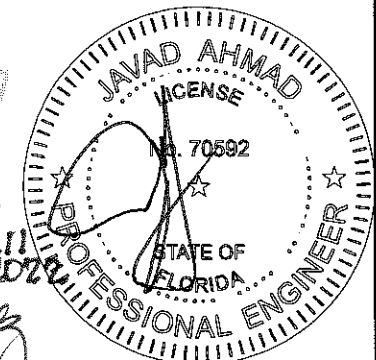
no	date	by	description
E	07.19.11		NO CHANGE THIS SHEET
F	08.12.13		MANUF. NAME REV.
G	12.09.13		MANUF. ADDRESS REV.
H	10.24.14		NO CHANGE THIS SHEET
I	08.02.17		UPDATED TO 2017 FBC

date: 08-11-03
scale: 1/2" = 1"
dr. by: TARIQ
chk. by:

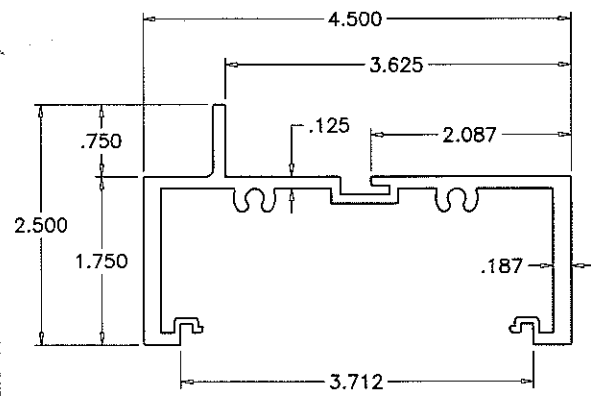
drawing no.
W03-64

sheet 9 of 10

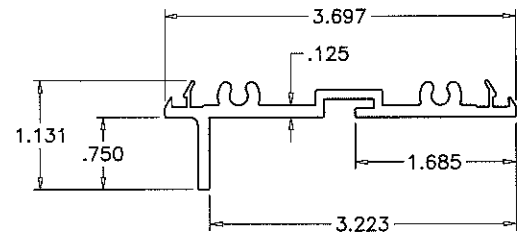
PRODUCT REVISED
is complying with the Florida
Building Code
Acceptance No. 17-0821-11
Expiration Date Nov. 21, 2020
By: *Manuel Perez*
Miami Dade Product Control



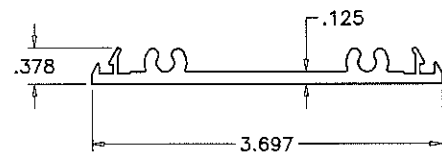
2007 1 4 2007



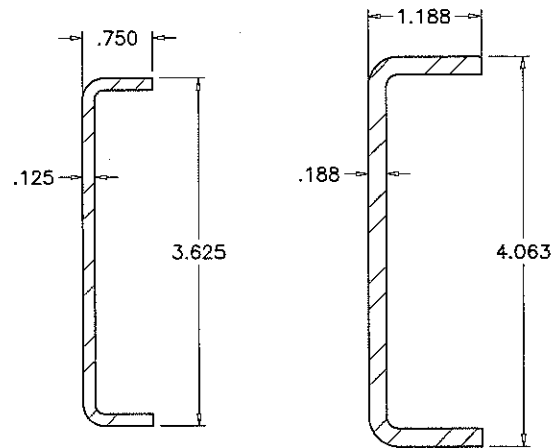
① FRAME HEAD/SILL/JAMB/MULLION



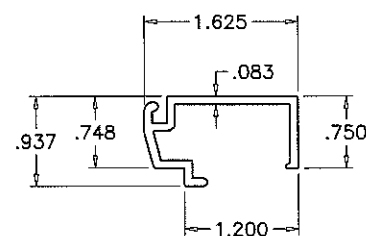
② INTERMEDIATE SNAP-IN



③ POCKET FILLER

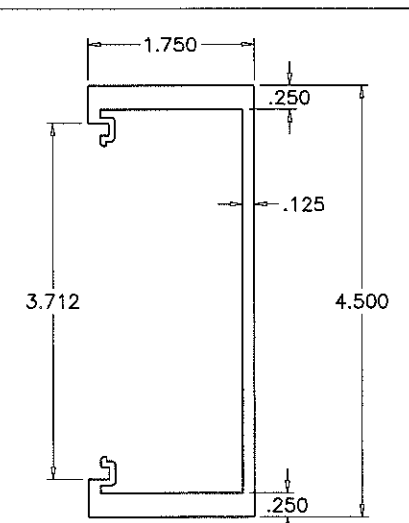


⑫ REINFORCING CHANNELS
STOREFRONT MULLION

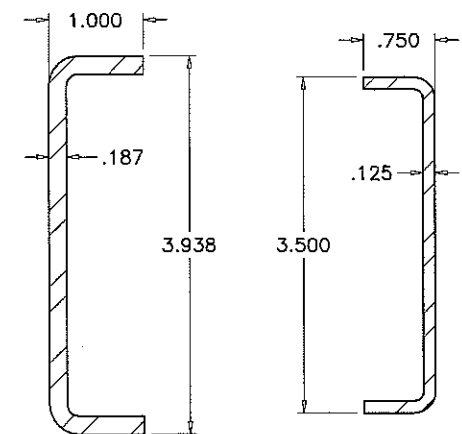


④ GLAZING STOP

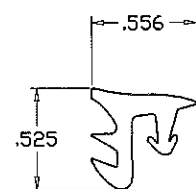
ITEM #	PART #	QUANTITY	DESCRIPTION	MATERIAL	MANF./SUPPLIER/REMARKS
1	SMI-001	AS REQD.	FRAME HEAD/SILL/JAMB/MULLION	6063-T6	SMITH MOUNTAIN
1A	SMI-005	AS REQD.	DOOR MULLION	6063-T6	SMITH MOUNTAIN
2	SMI-003	AS REQD.	INTERMEDIATE SNAP-IN	6063-T6	SMITH MOUNTAIN
3	SMI-004	AS REQD.	FLAT FILLER, 4" LONG AT ANCHOR LOCATIONS	6063-T6	SMITH MOUNTAIN
4	SMI-002	AS REQD.	GLASS STOP	6063-T5	SMITH MOUNTAIN
5	SMI-G01	AS REQD.	GLAZING GASKET	EPDM 70 ±5	GLAZING RUBBER PRODUCTS
6	SMI-G03	AS REQD.	SETTING BLOCK (1/4" X 1/2" X 2" LONG)	EPDM 70 ±5	FRANK LOWE
7	1/4-20 X 2-1/4"	AS REQD.	MULLION SCREWS WITH NUT & WASHER	-	AT 9" FROM ENDS & 24" O.C.
8	#12 X 1-1/2"	2 PER CORNER	FRAME ASSEMBLY SCREWS	-	HEX H SELF DRILLING
9	SMI-G02	-	ADHESIVE FOAM TAPE (1/4" X 1/2")	-	FRANK LOWE/BUTNICK
10	995	-	GLAZING COMPOUND	-	DOW CORNING
10A	895/896	-	GLAZING COMPOUND	-	PECORA
11	-	-	REINFORCING CHANNEL (STOREFRONT MULLION)	STEEL	1-3/16" X 4-1/16" X 1-3/16" X 3/16" THK. (ASTM A36, Fy 36 KSI)
12	-	-	REINFORCING CHANNEL (STOREFRONT MULLION)	STEEL	3/4" X 3-5/8" X 3/4" X 1/8" THK. (ASTM A36, Fy 36 KSI)
13	-	-	REINFORCING CHANNEL (DOOR MULLION)	STEEL	1" X 3-15/16" X 1" X 3/16" THK. (ASTM A36, Fy 36 KSI)
14	-	-	REINFORCING CHANNEL (DOOR MULLION)	STEEL	3/4" X 3-1/2" X 3/4" X 1/8" THK. (ASTM A36, Fy 36 KSI)



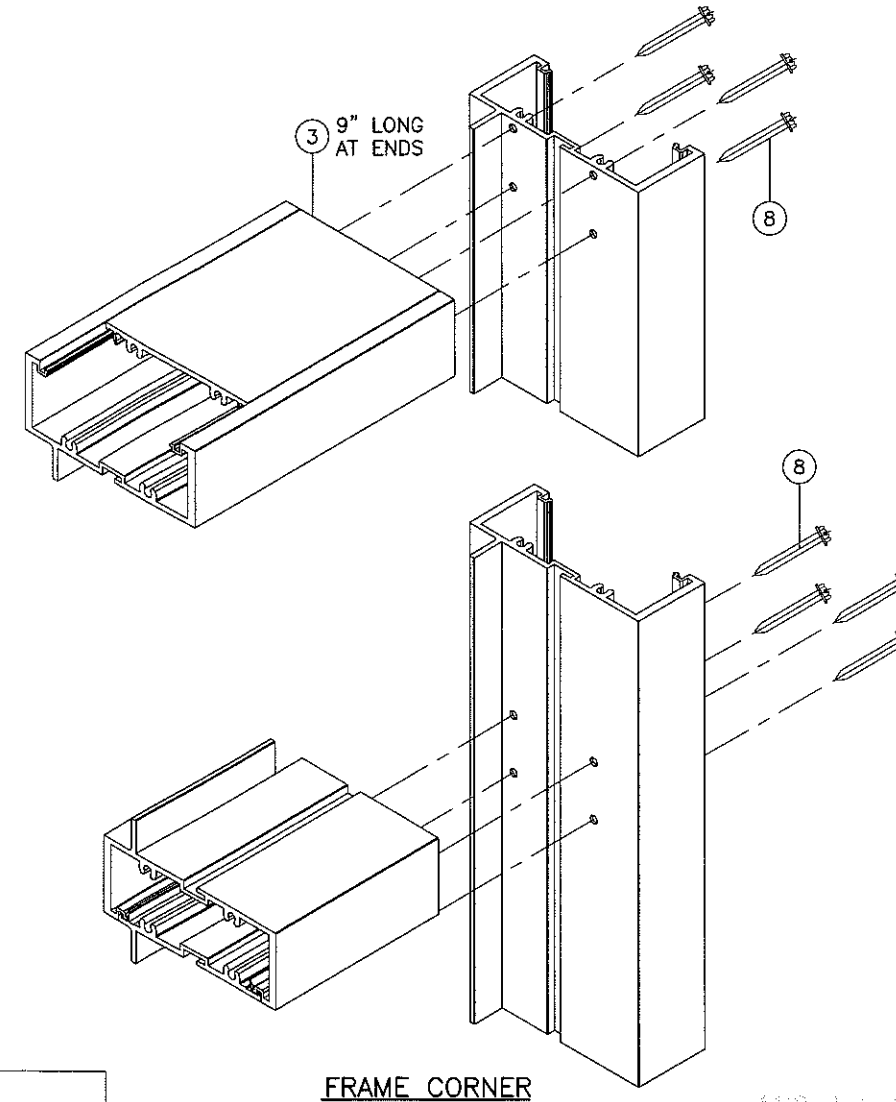
①A DOOR MULLION



⑬ REINFORCING CHANNELS
DOOR MULLION

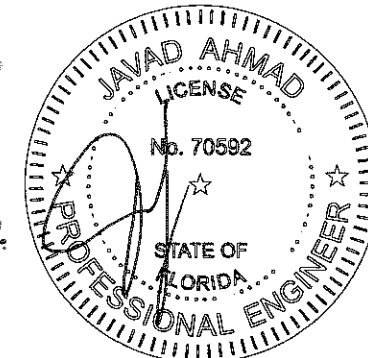


⑤ WEDGE-IN GASKET
SCALE 1:1



FRAME CORNER

PRODUCT REVIEWED
as complying with the Florida
Building Code
Acceptance No. 17-0821.11
Expiration Date Nov. 21, 2022.
By *Manuel Saez*
Miami Dade Product Control



af c
AL-FAROOQ CORPORATION
ENGINEERS & PRODUCT DEVELOPMENT
9360 SUNSET DRIVE, SUITE 220 (C.A.N. 3538)
MIAMI, FLORIDA 33173 FAX. (305) 262-6978
TEL. (305) 264-8100

SERIES SMI-175 ALUM WINDOW WALL (L.M.I.)
Aldora Aluminum & Glass Products, Inc.
11500 MIRAMAR PARKWAY SUITE 300
MIRAMAR, FL. 33025
TEL. (305) 888-6288 FAX. (305) 888-6289

no.	date	by	description
E	07.19.11		NO CHANGE THIS SHEET
F	08.12.13		MANUF. NAME REV.
G	12.09.13		MANUF. ADDRESS REV.
H	10.24.14		NO CHANGE THIS SHEET
I	08.02.17		UPDATED TO 2017 FBC

date: 08-11-03
scale: 1/2" = 1"
dr. by: TARIQ
chk. by:
drawing no.
W03-64
sheet 10 of 10

COMP-ANL\W03-64SM