



The 245 system is a non-impact, 2" flush glazed system designed to accommodate 1" insulated glass. Utilizing different gaskets, it can be configured to house 1/2" tempered glass for interior projects. With its screw

spline assembly, the 245 can be pre-fabricated for easy installation. A popular use of the system is to have it combined with the McKinley door and clad with stainless steel for personal wine room applications.



**FEATURES:**

- Framing - aluminum alloy 6063-T6
- Horizontal and vertical members 2.00" by 4.50"
- Glazed with 1" insulated glass or 1/2" tempered glass
- Maximum panel size 48" x 120"
- Dry glaze gasket system using EPDM gaskets
- Screw spline assembly - can be unitized
- No exposed fasteners

**OPTIONS:**

- Can be pre-fabricated
- Can be segmented

**ALDORA ALUMINUM &  
GLASS PRODUCTS**

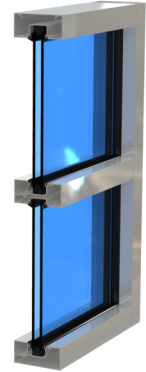
[www.Aldora-Architectural.com](http://www.Aldora-Architectural.com)

11500 Miramar Parkway Suite 300 • Miramar, FL 33025  
Ph: 954.784.6900 Fax: 954.784.6901

7421 East Spartan Boulevard • Charleston, SC 29418  
Ph: 800-868-4527 Fax: 800-314-4436

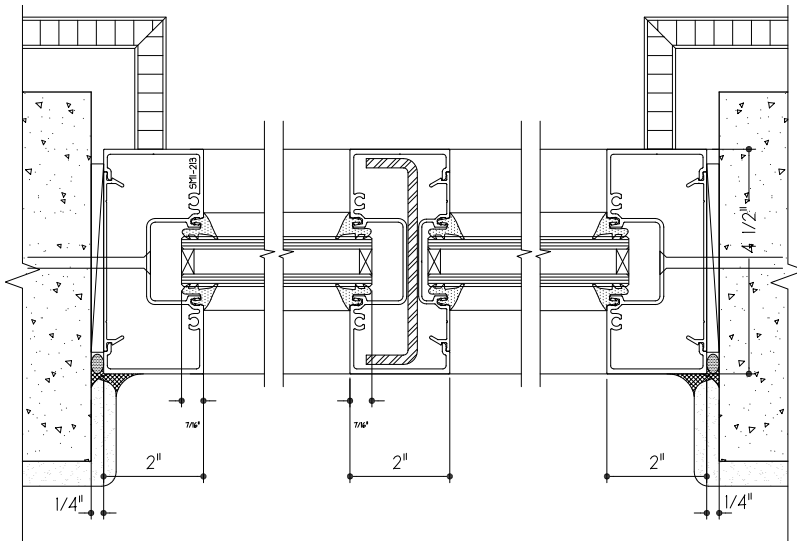
# SMI- 245

## FIXED NON-IMPACT SYSTEM

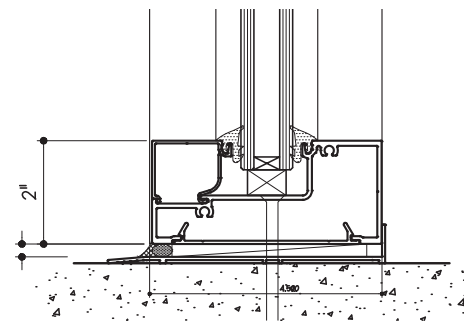


- 1" Insulated or 1/2" Tempered Glazing
- Perfect For Wine Rooms
- Can Be Unitized

### DETAILS



Jambs with intermediate reinforced mullion



Sill with optional recommended sill pan

### PERFORMANCE

GLASS LOADS	1" Insulated Glass		1/2" Tempered (No approval)	
	+120/-120 spf		N/A	
WATER	7.5 lbs.			
MAX PANEL SIZE	Non-Reinforced		Reinforced	
	48" x 120"		36" x 144"	
TESTING PROTOCOL	<b>Miami Dade and Florida Building Code Approved</b>			
	TAS 201 Passed	TAS 202 Passed	TAS 203 Passed	ANSI Z97 Passed
ENERGY	Achieves energy code requirements with performance glass			

